

Broil King®

ASSEMBLY MANUAL & PARTS LIST - MANUEL DE MONTAGE & LISTE DE PIÈCES



Broil King.
BARON 320 PRO
8742-17
BARON 320
8742-57



Broil King.
BARON S 320 PRO
8743-17
BARON S 320
8743-57



Broil King.
BARON 340 PRO
8742-27
BARON 340
8742-67



Broil King.
BARON S 340 PRO
8743-27
BARON S 340
8743-67


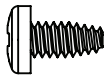
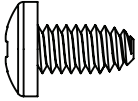
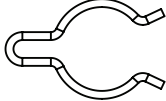
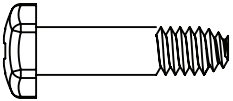
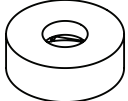
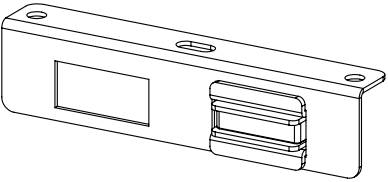
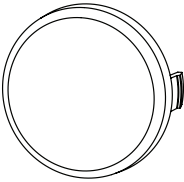
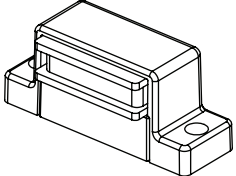
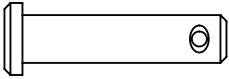
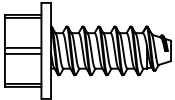
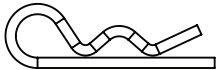
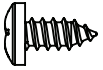
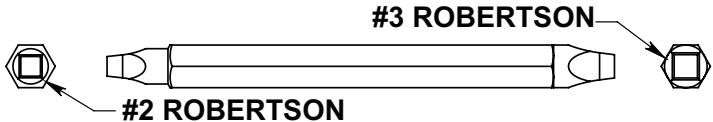
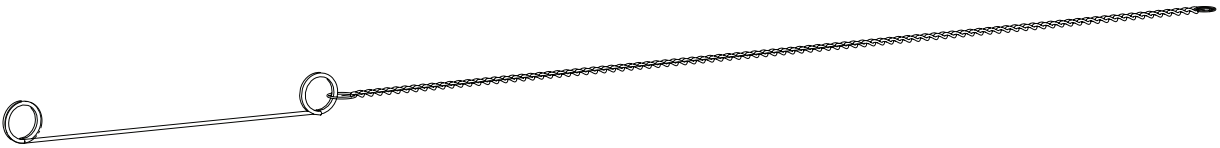
RETAIN FOR FUTURE REFERENCE - VEUILLEZ CONSERVER POUR REFERENCE ULTERIEURE

Onward
MANUFACTURING COMPANY
SINCE 1906
585 KUMPF DRIVE LIMITED
WATERLOO, ONTARIO, CANADA
N2V 1K3

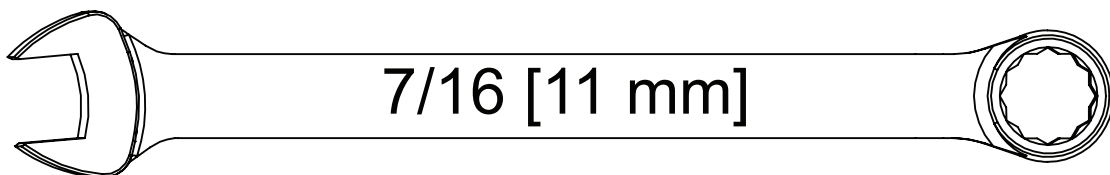
info@omcbbq.com
1-800-265-2150

50084-E60NG REV D 03/24

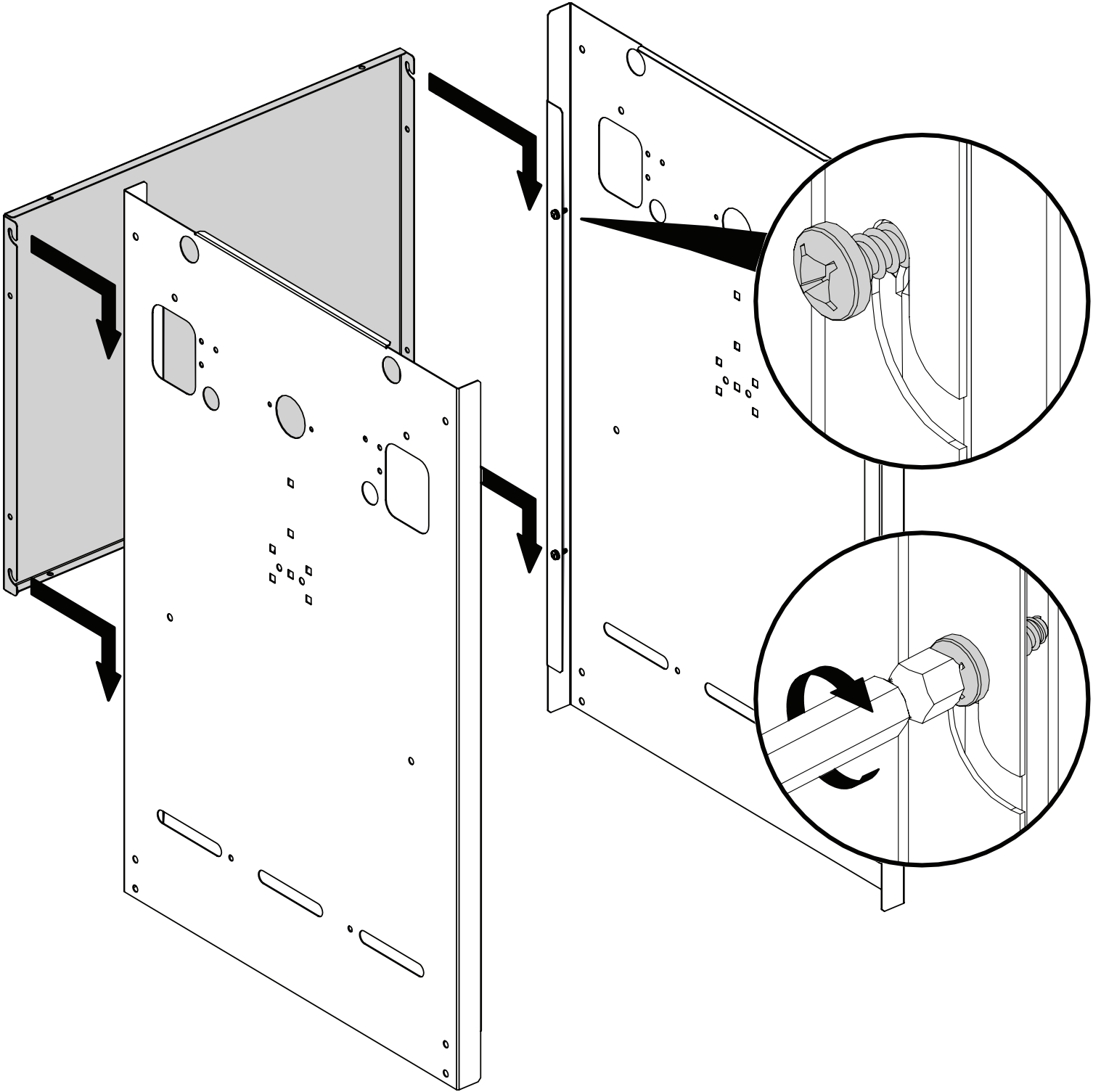
HARDWARE INCLUDED / MATERIAL INCLUS

S21124		(8)	Y-29304		(2)
Y-12865		(8)	Y-11230		(1)
Y-11551		(1)	Y-12124		(1)
56039-214B		(1)	32001-151		(4)
Y-12234		(1)	S21235		(2)
S21084		(8)	S21233		(2)
S21125		(2)			
20005-000					(1)

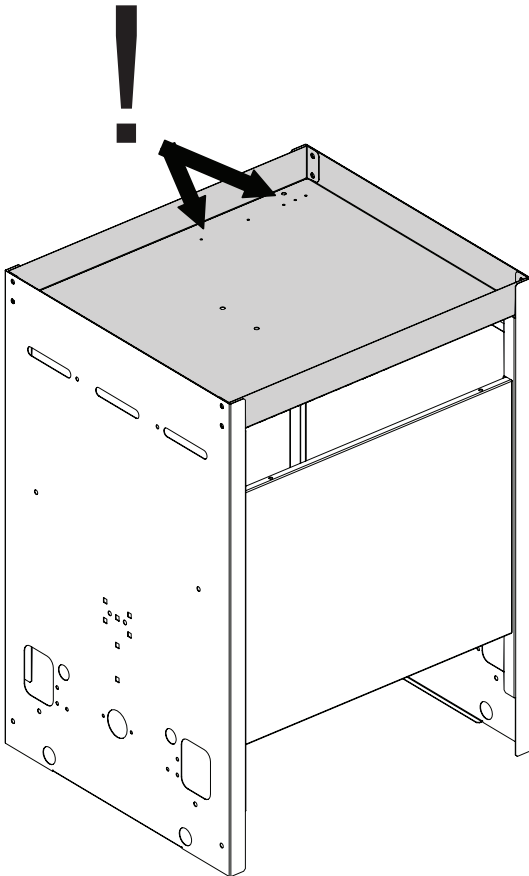
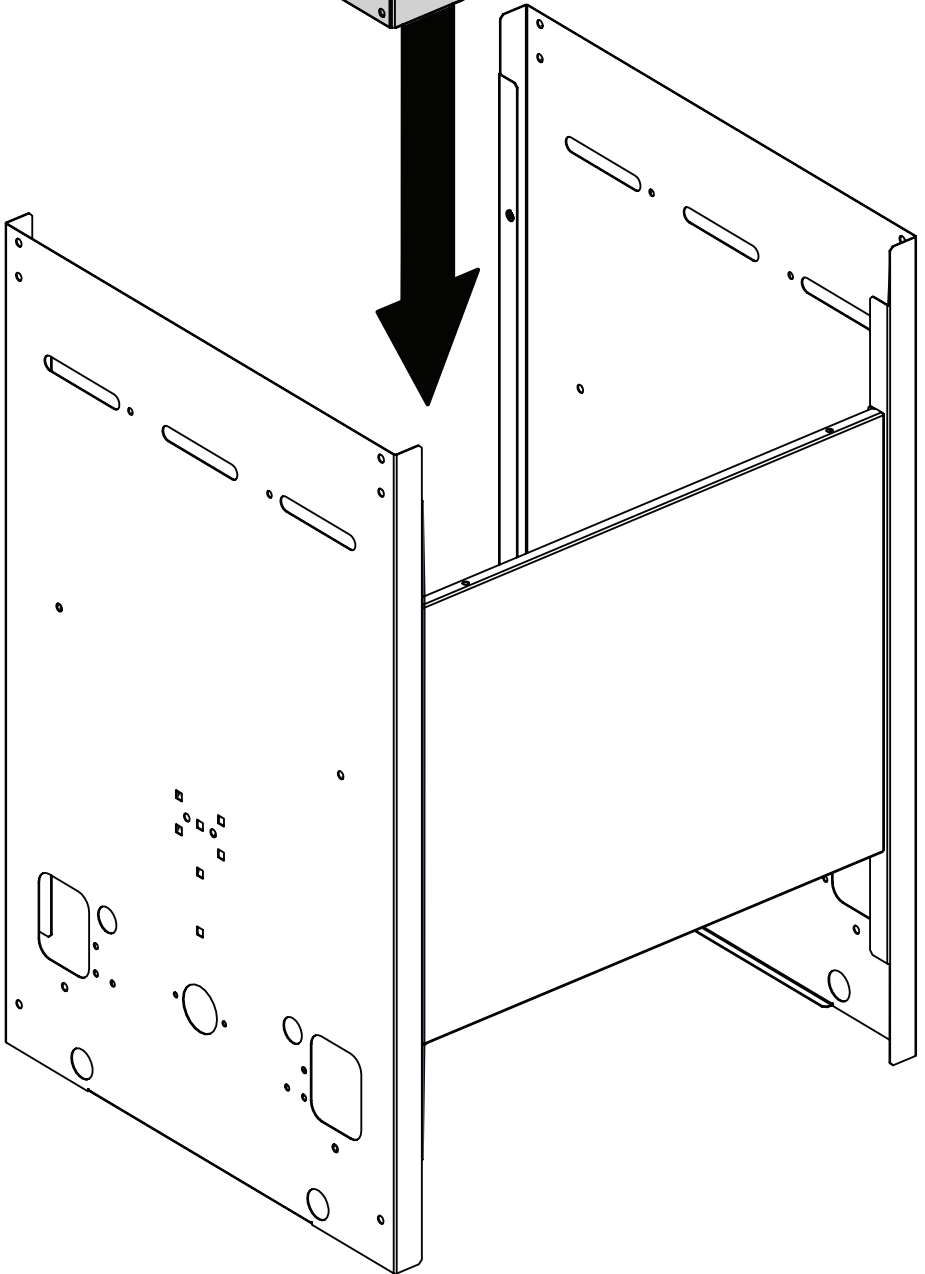
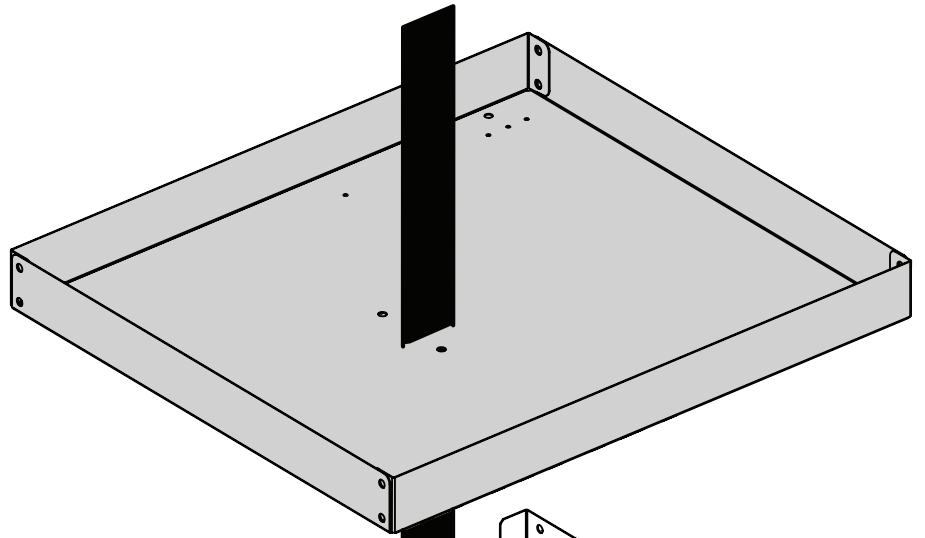
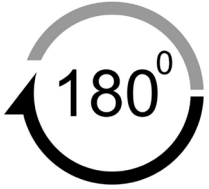
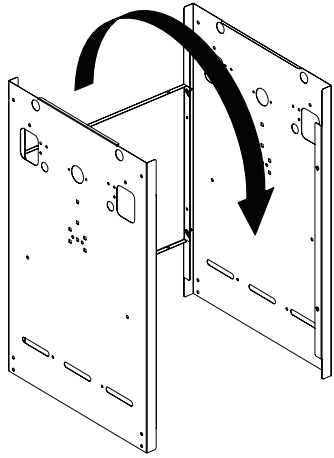
TOOLS REQUIRED / OUTILS NECESSAIRES




1

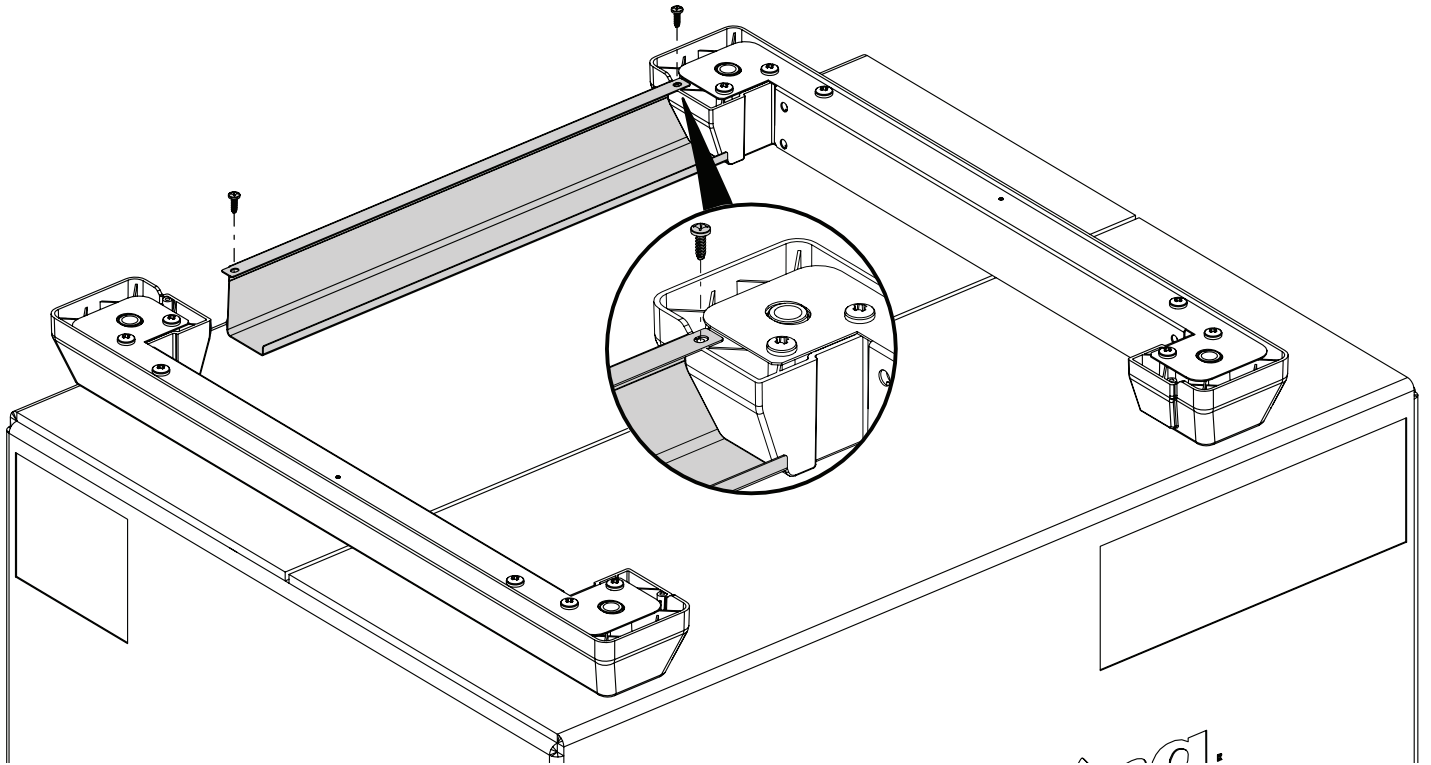


2

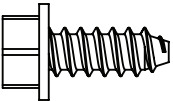


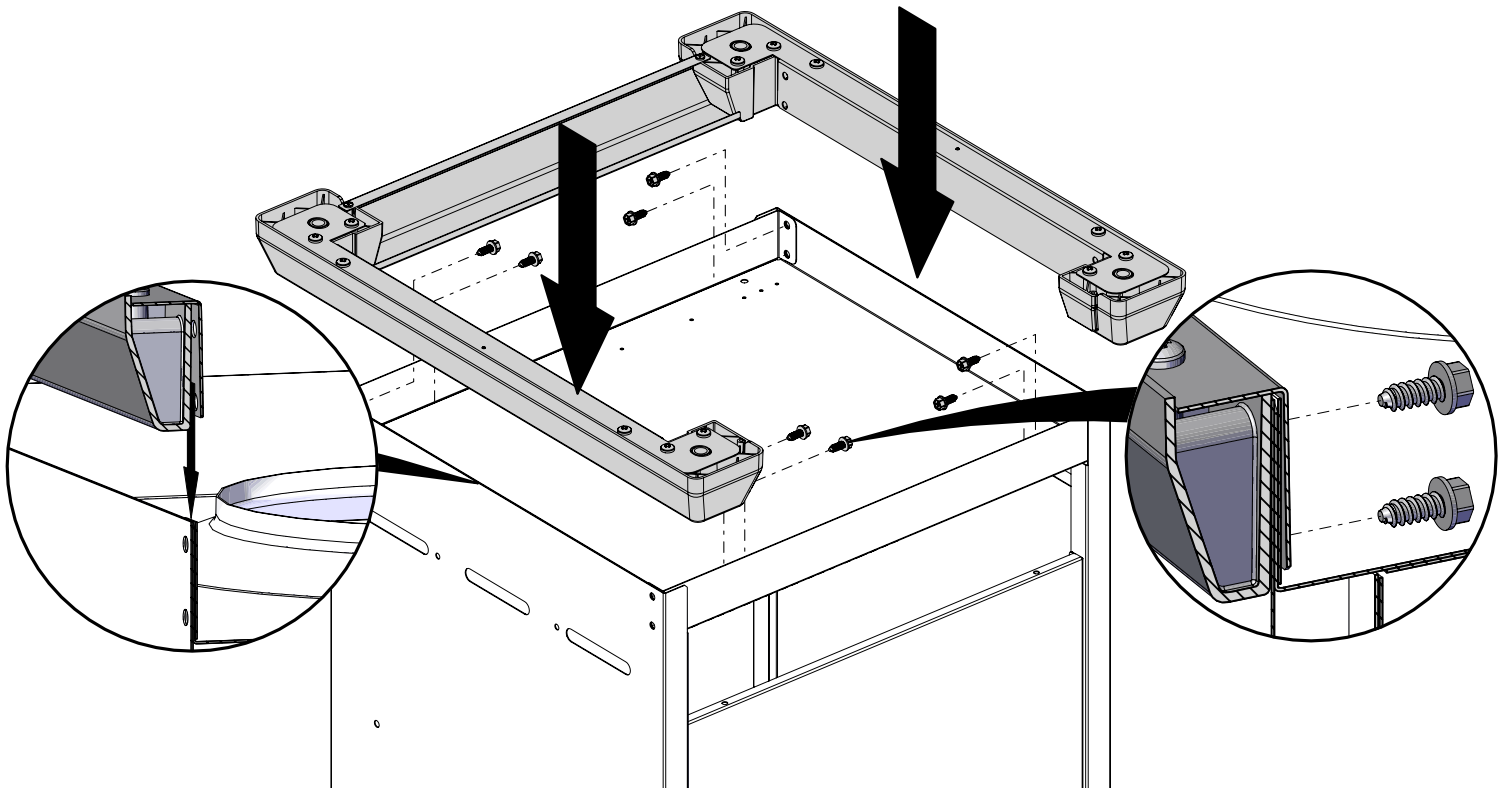
3

(2) 

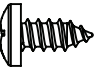


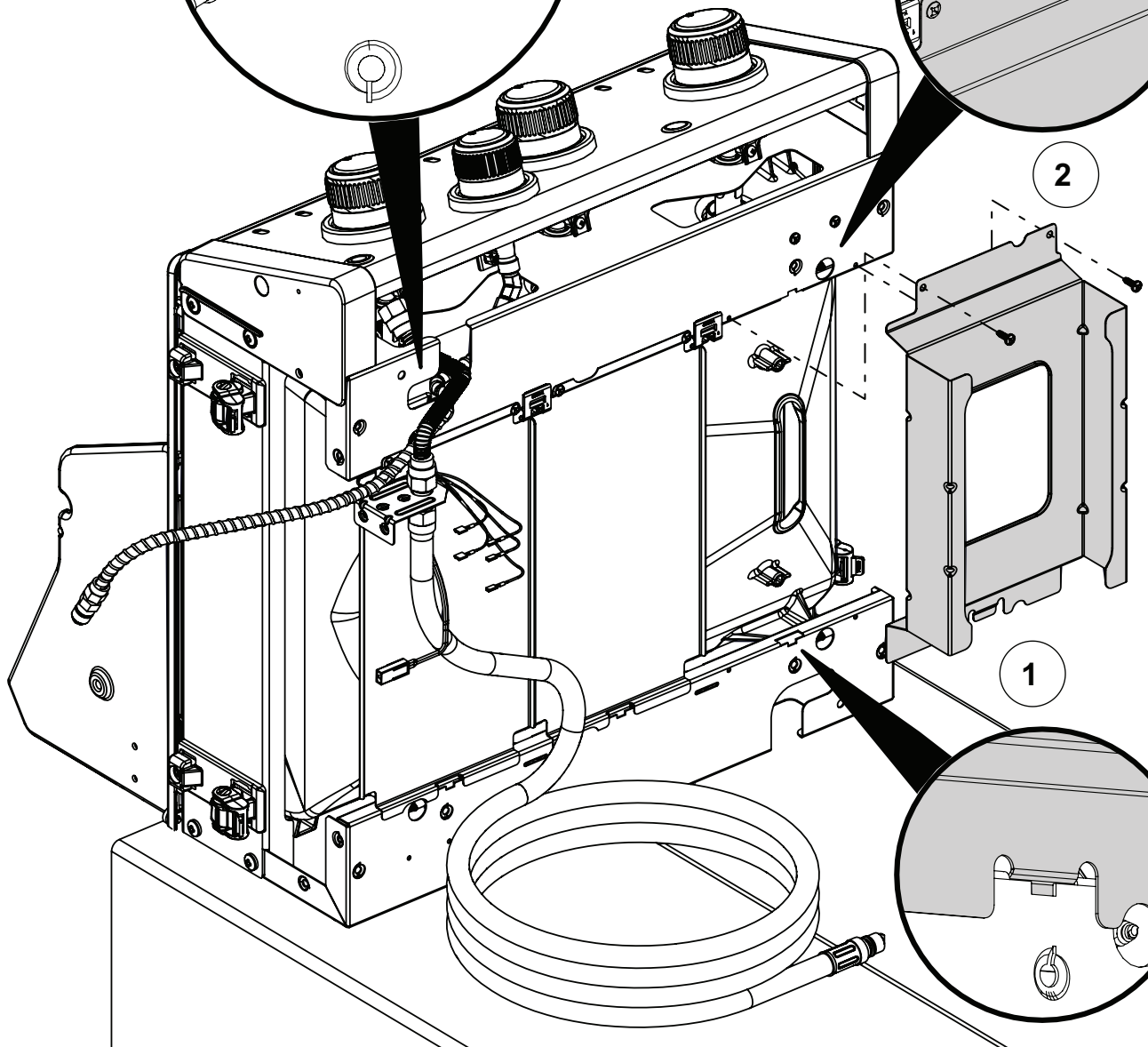
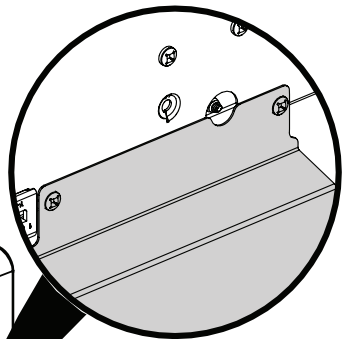
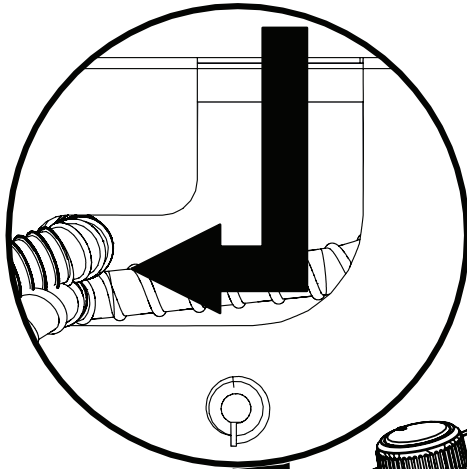
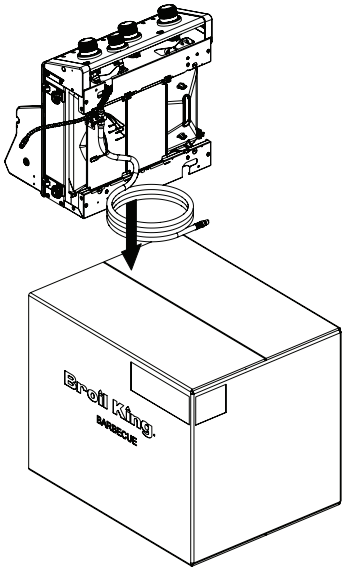
4

(8) 



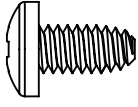
5

(2) 

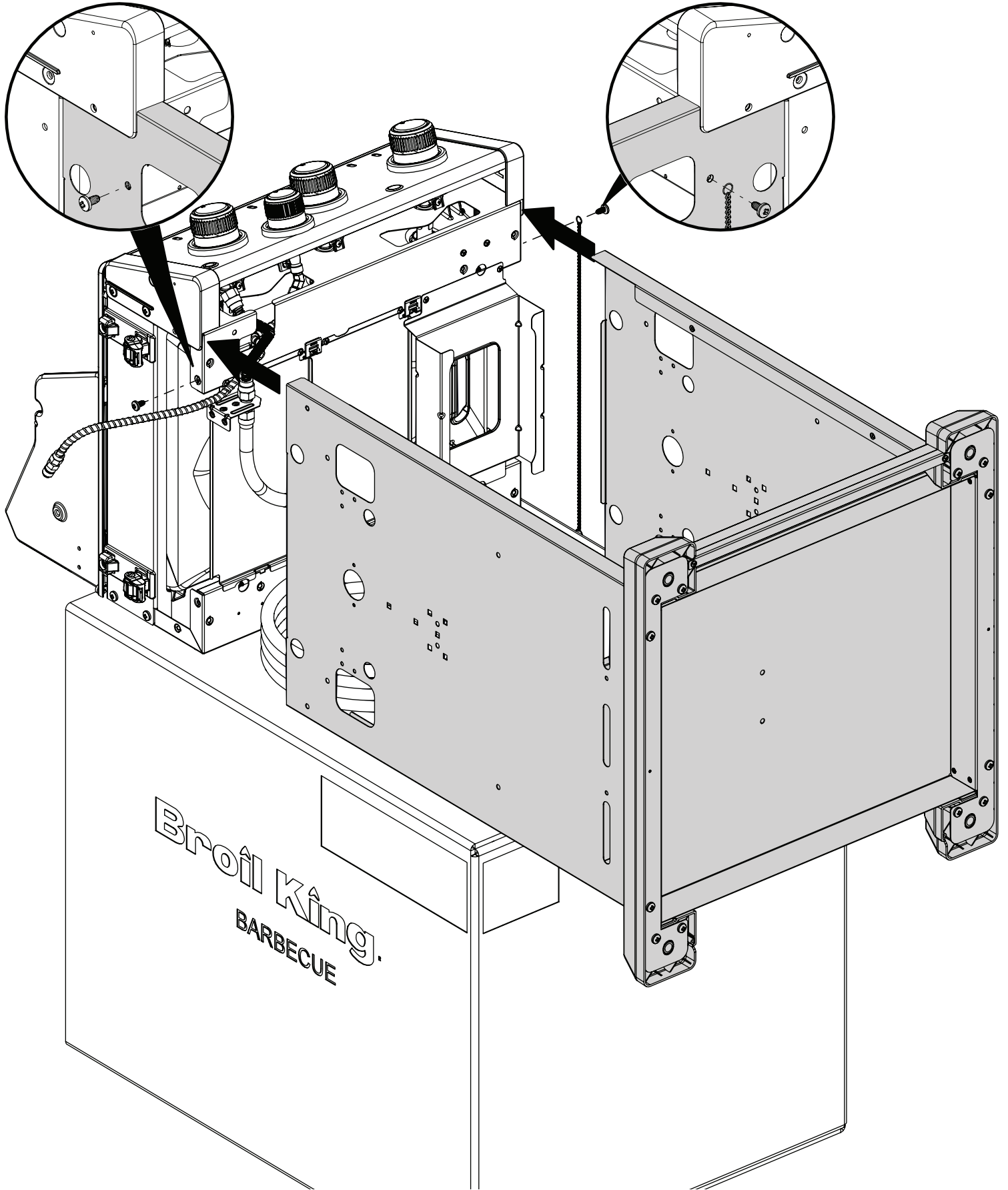


6

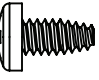
(2)

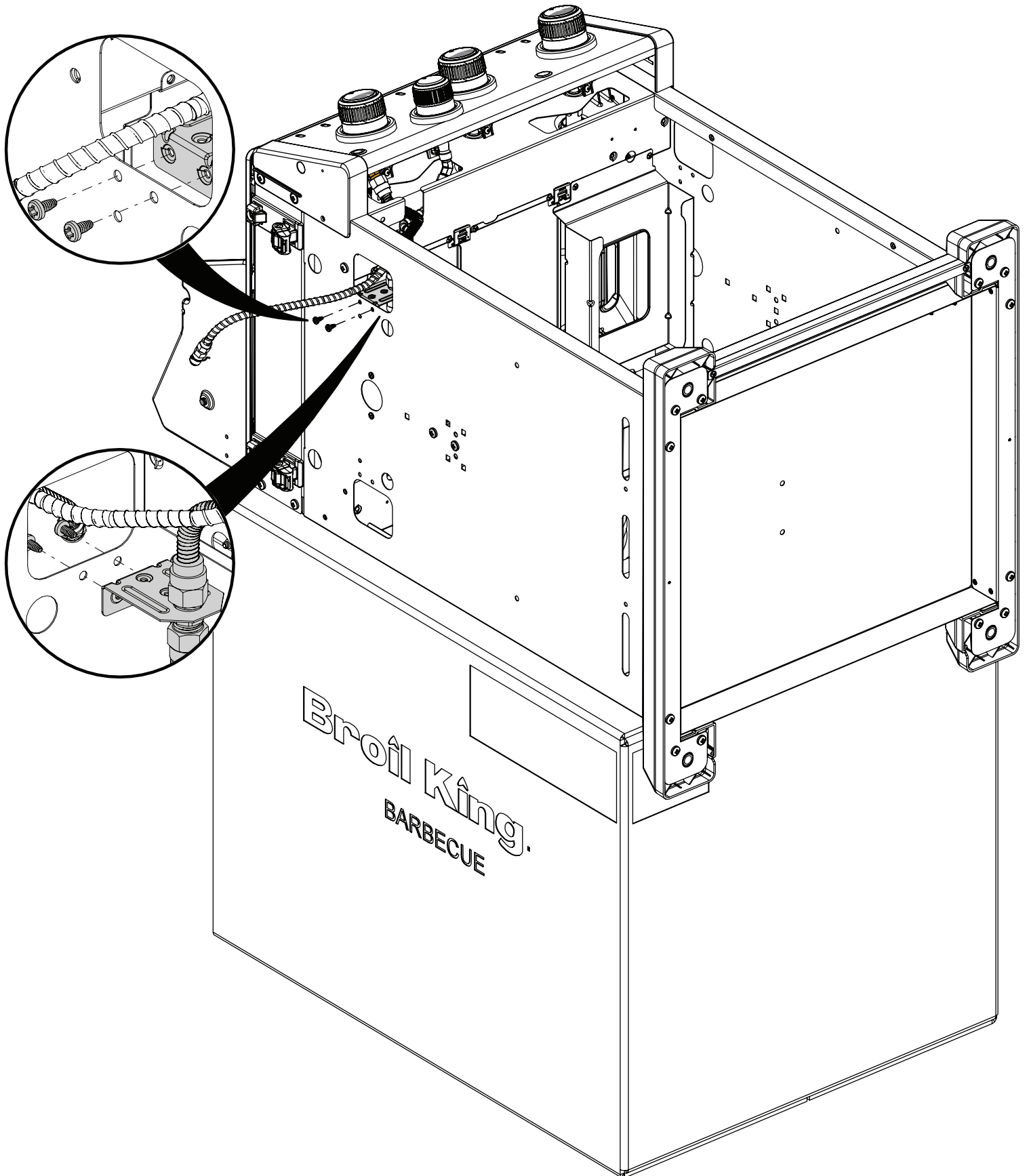


(1)




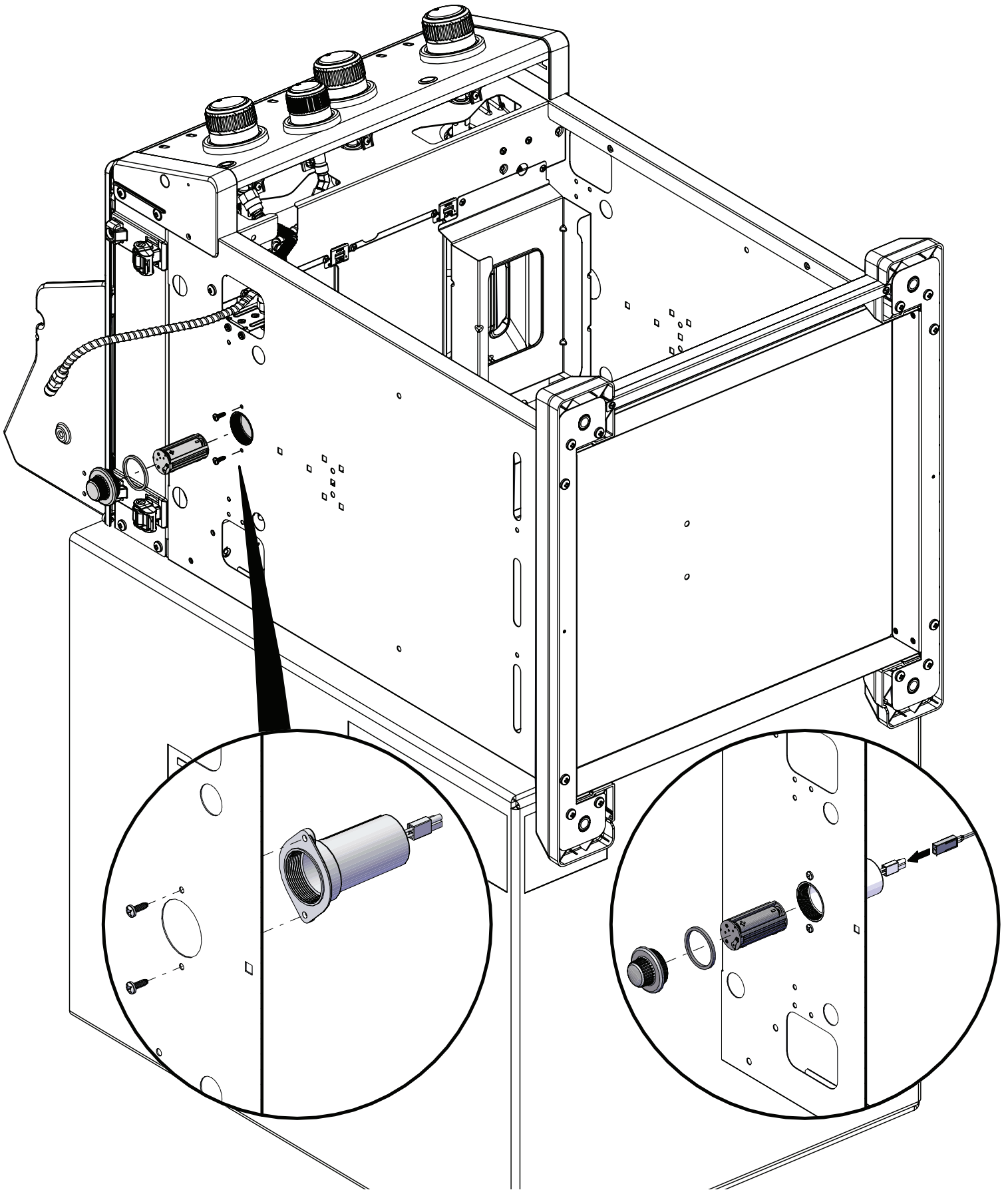
7

(2) 

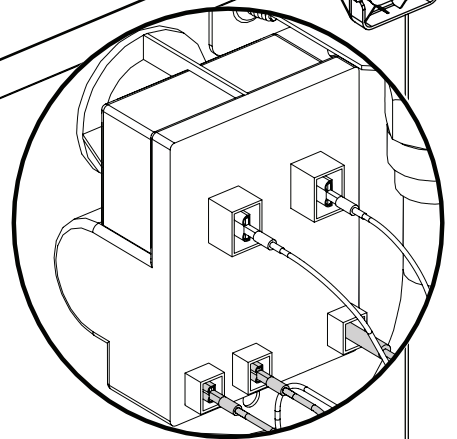
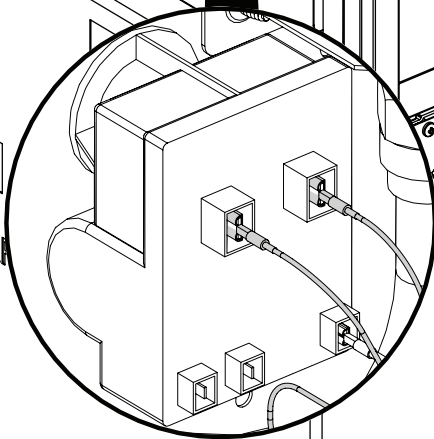
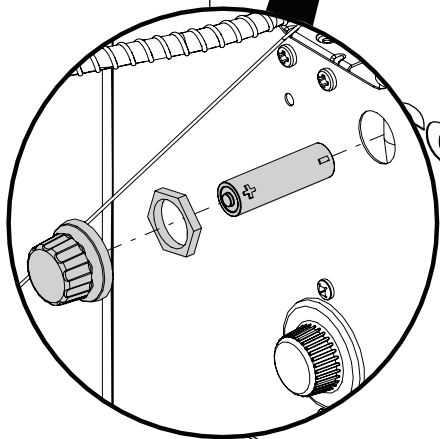
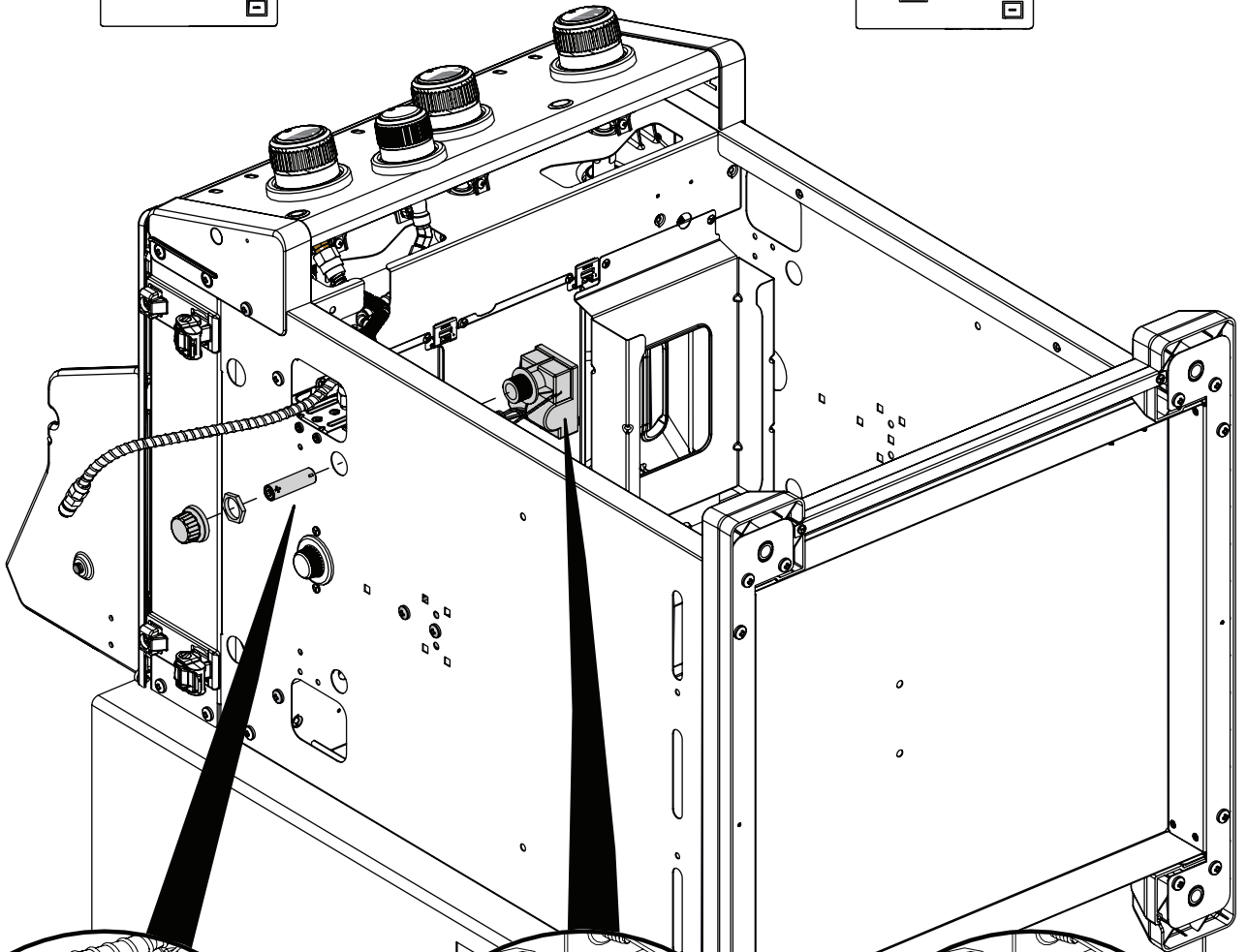
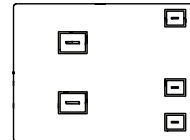
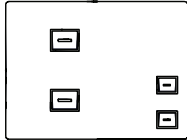
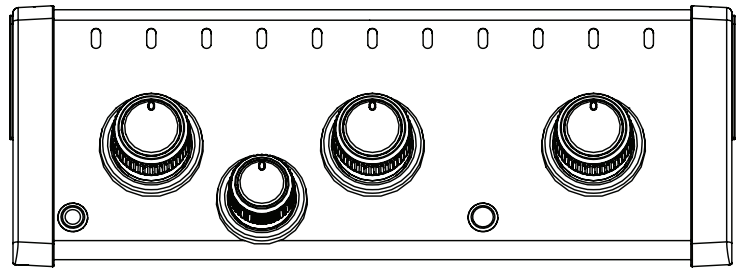
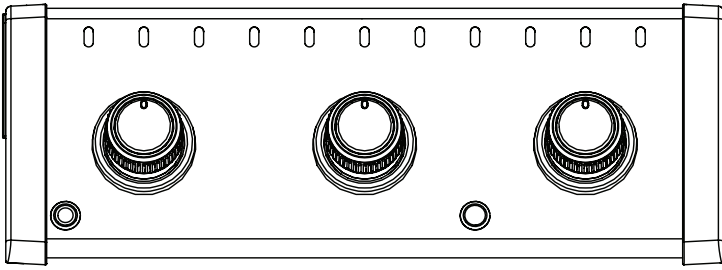


8


(2) 



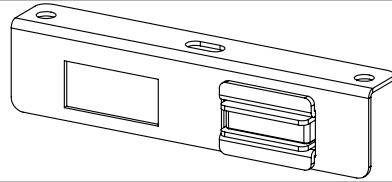
9



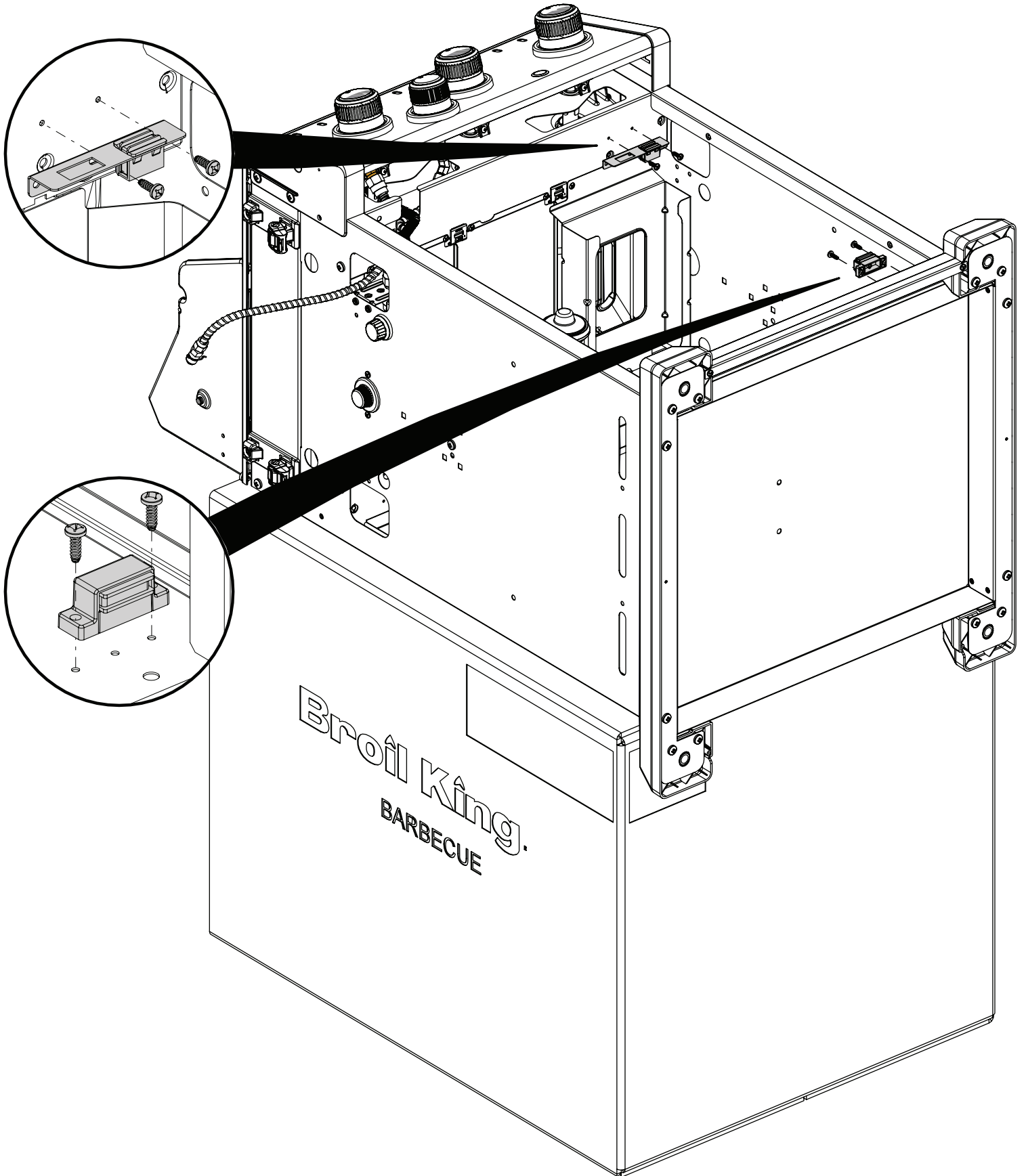
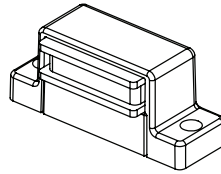
10

(4) 

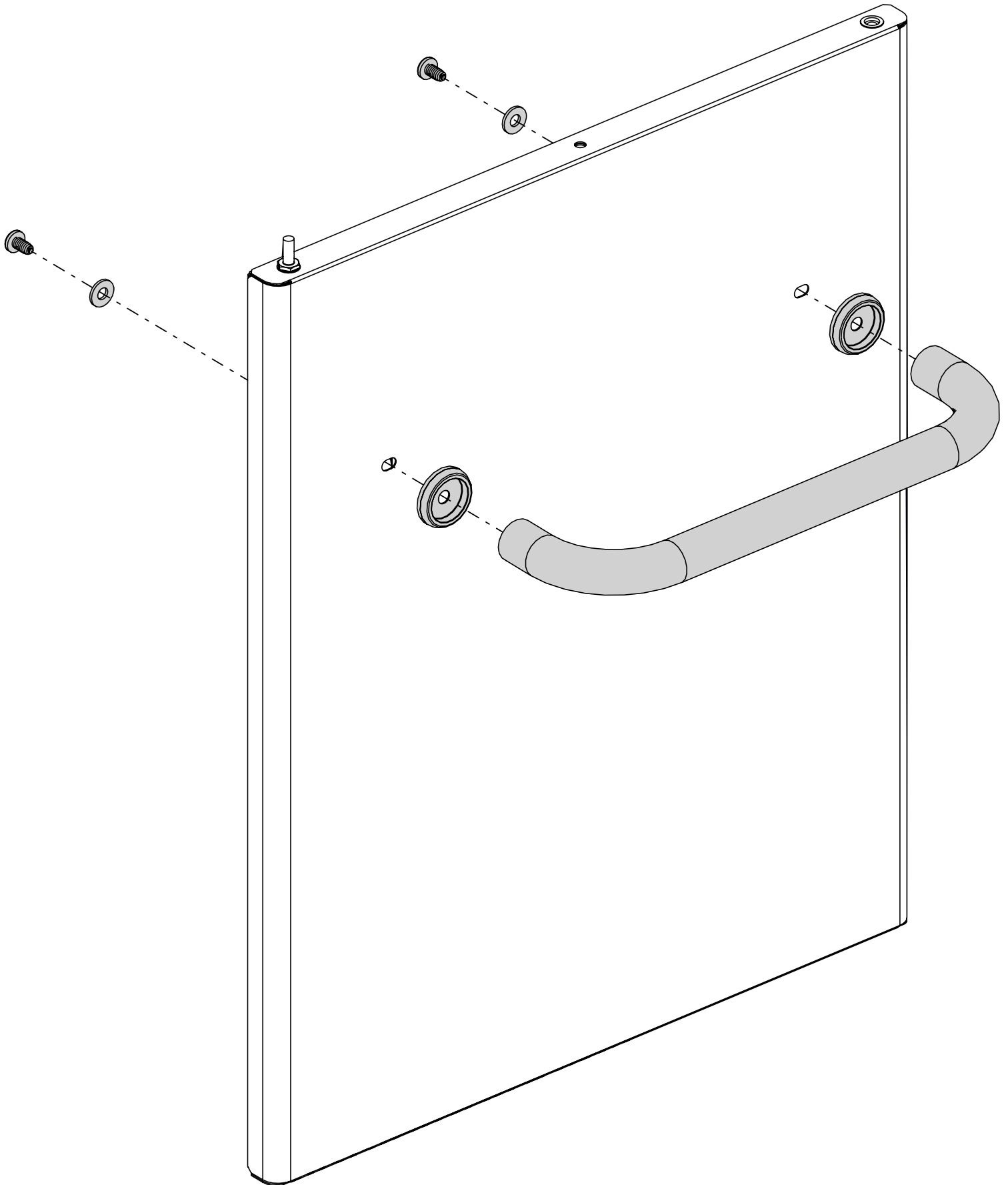
(1)



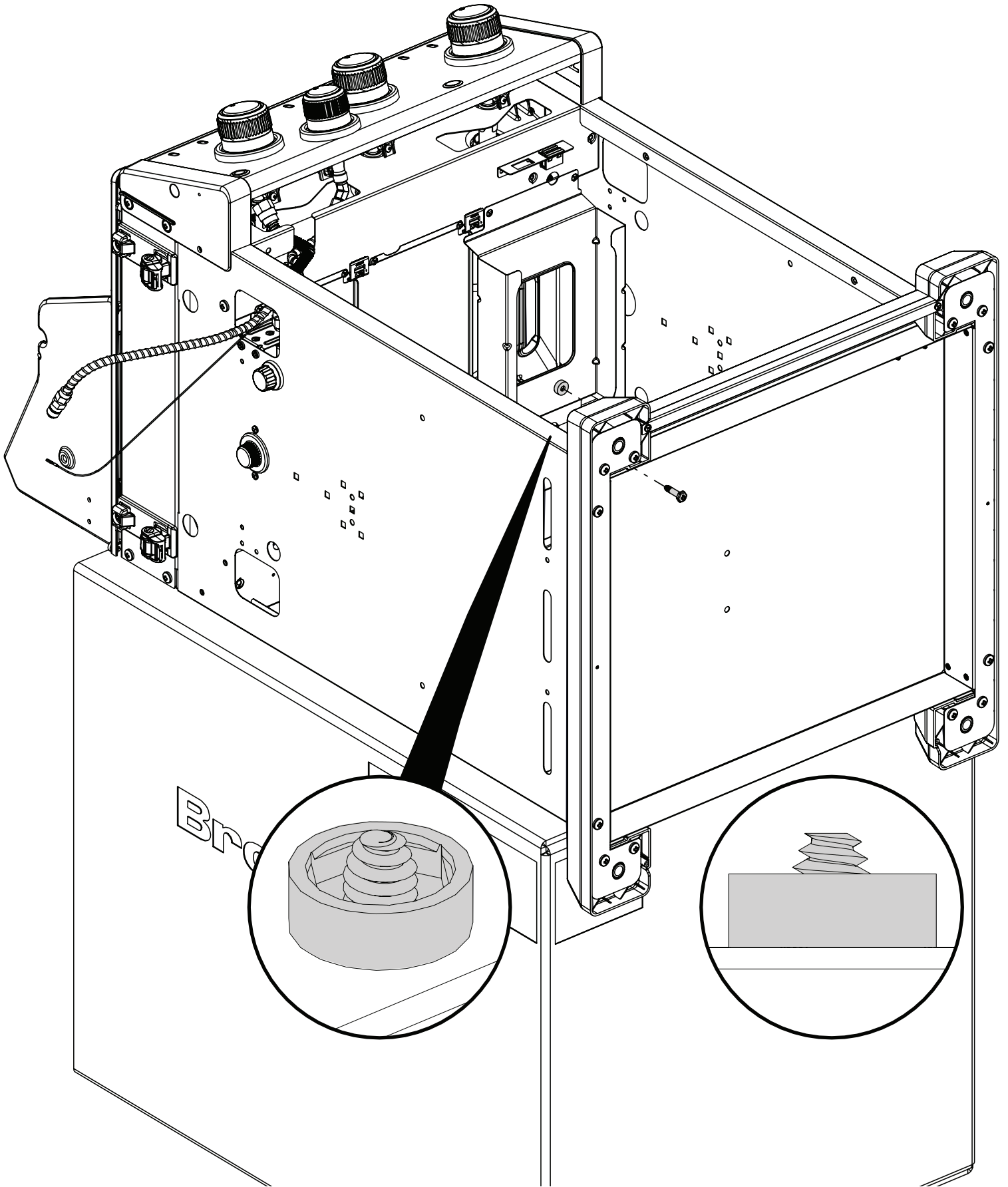
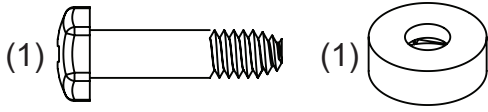
(1)

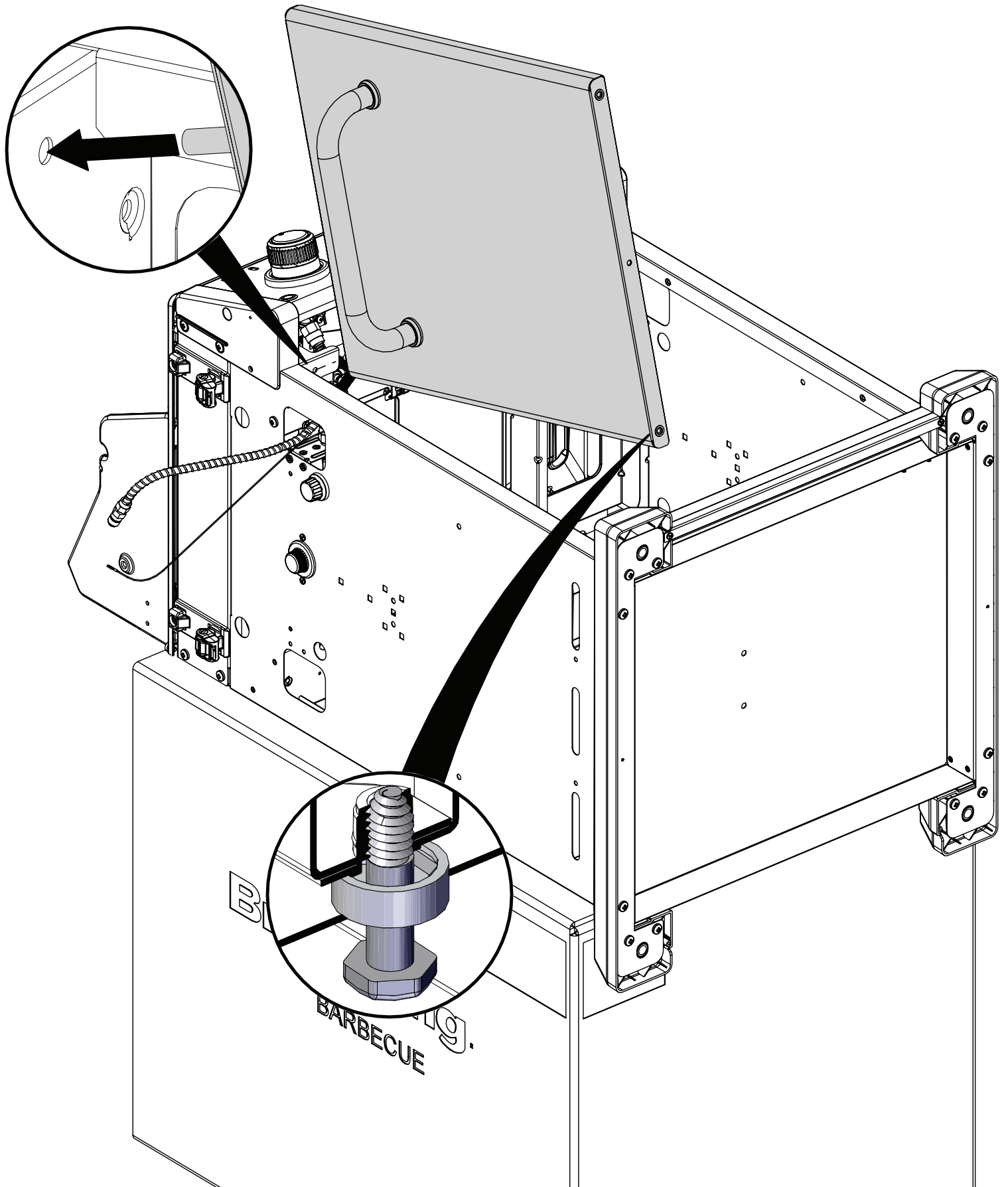


11



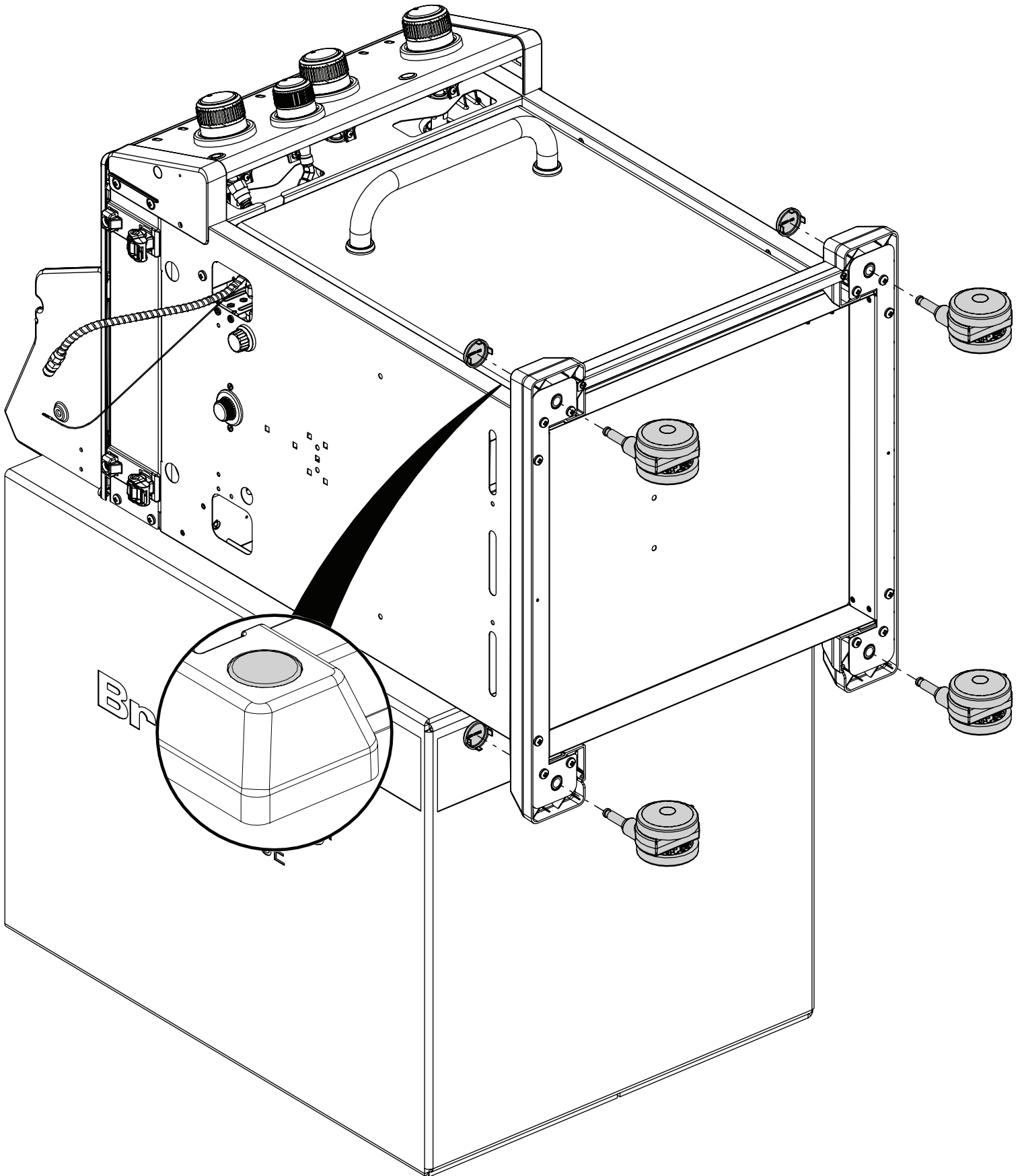
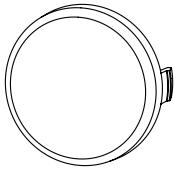
12

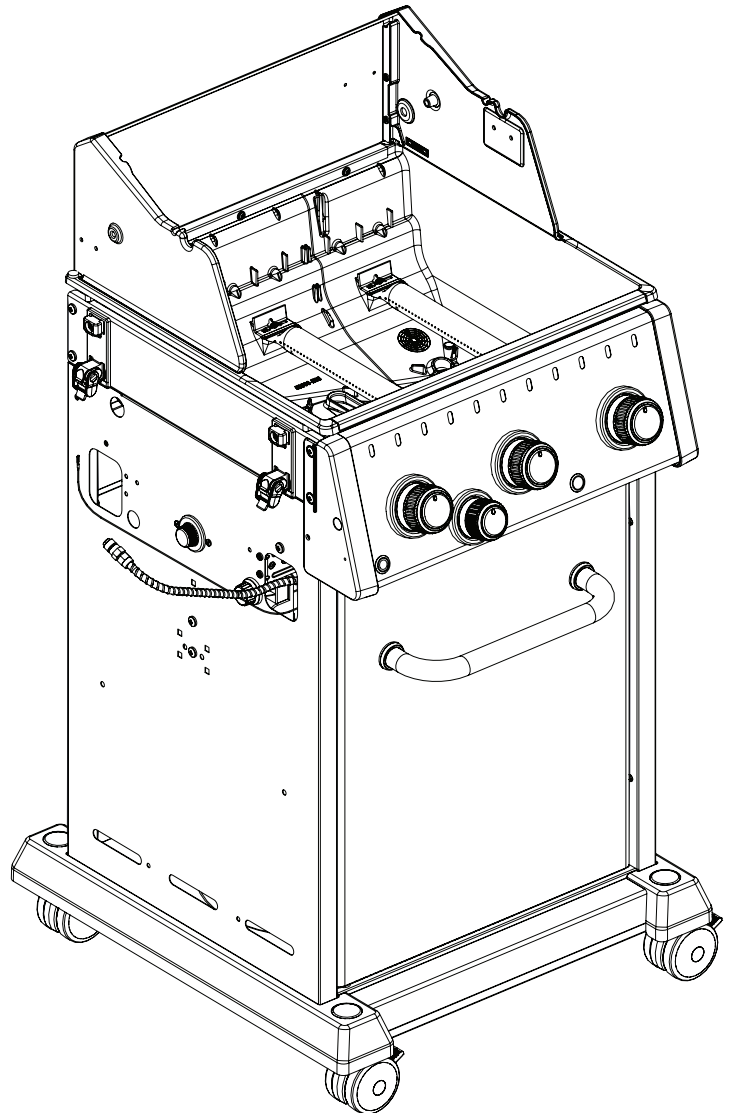
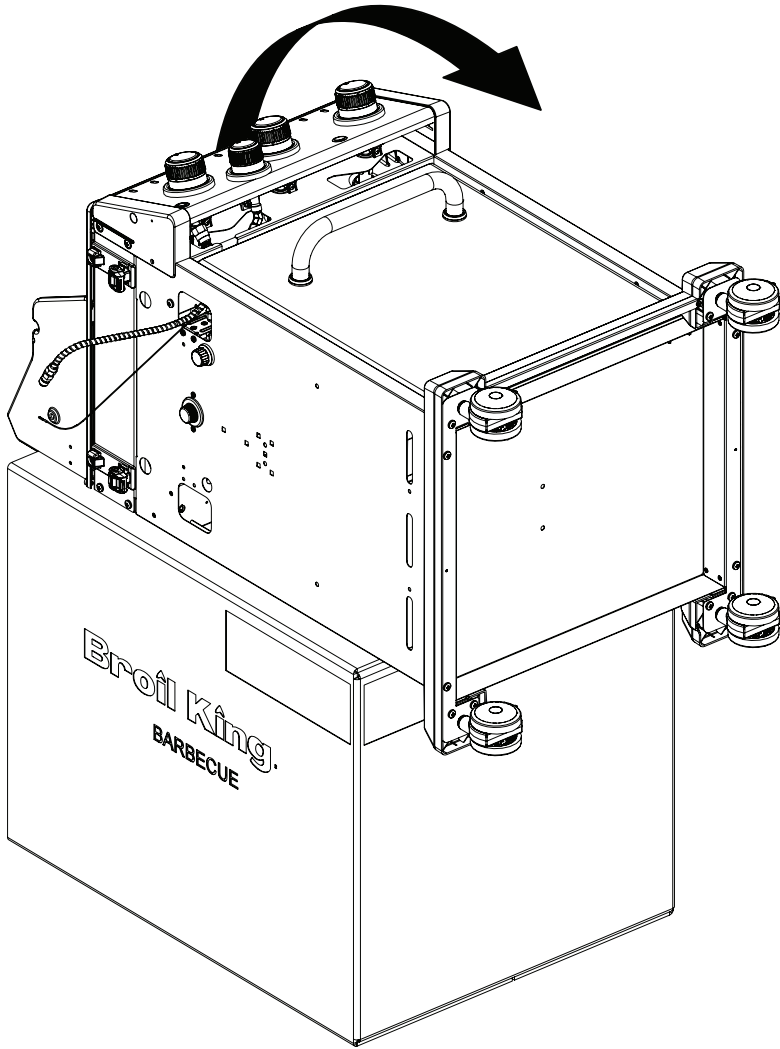




14

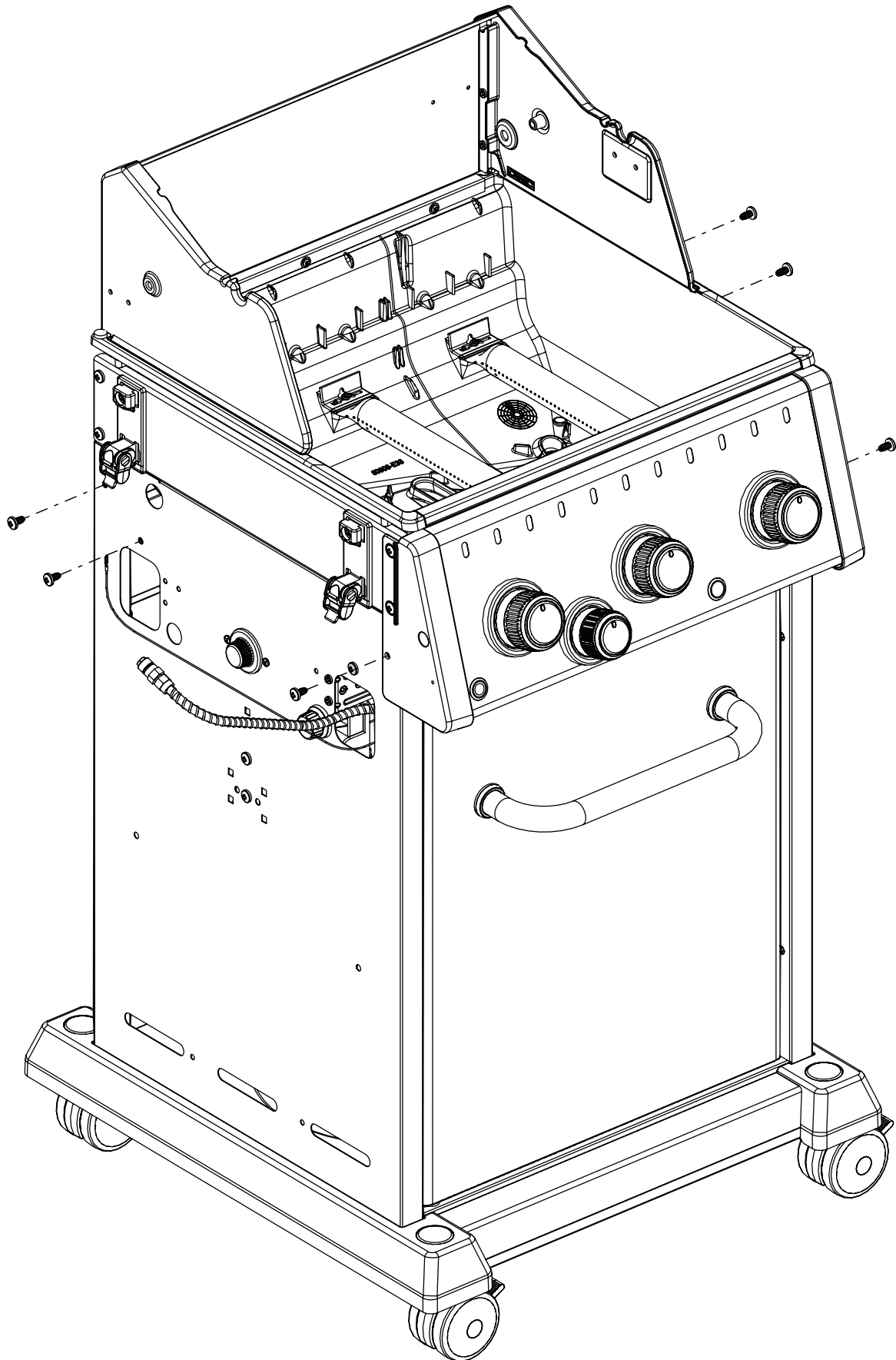
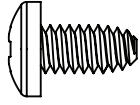
(4)



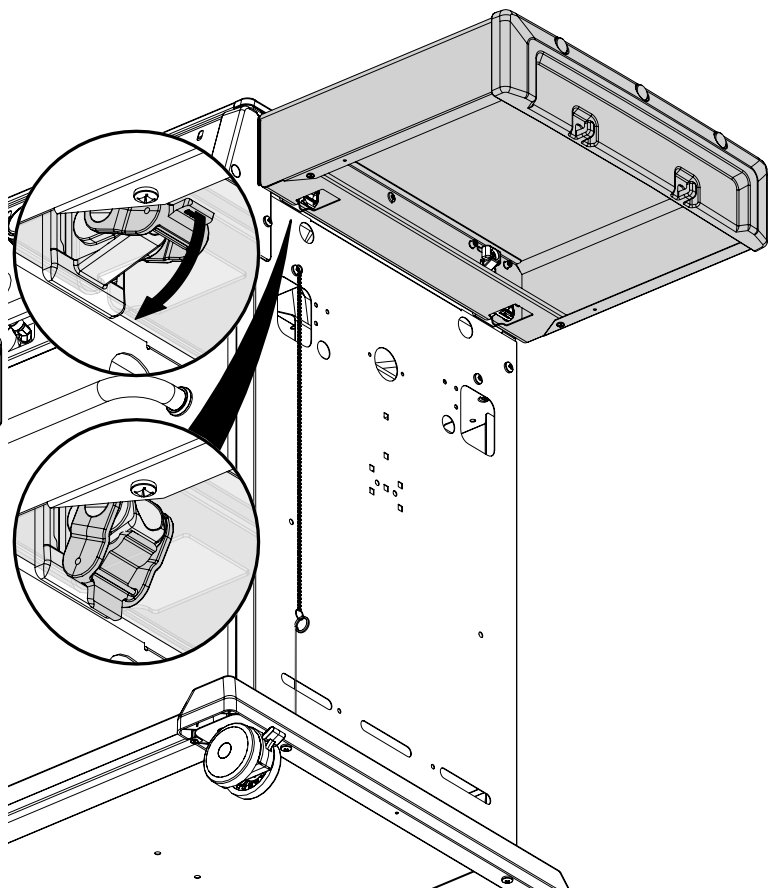
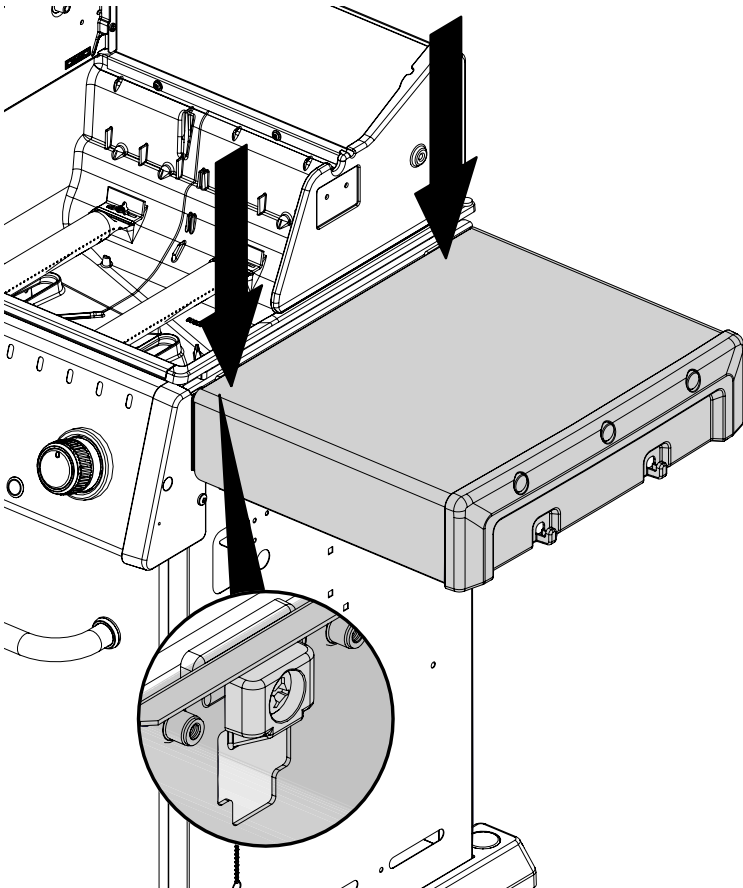
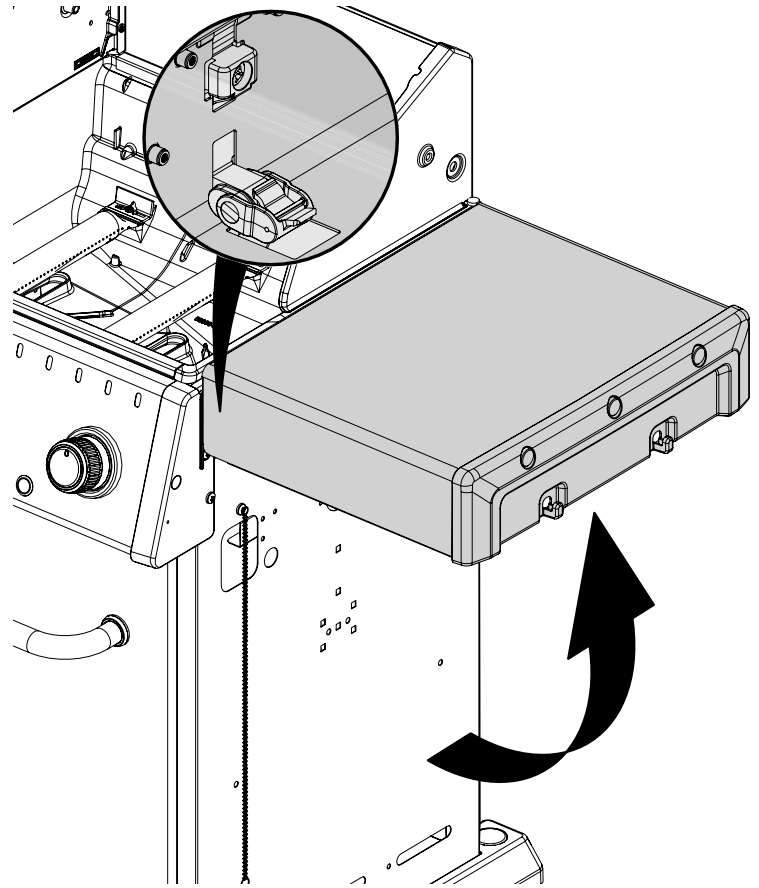
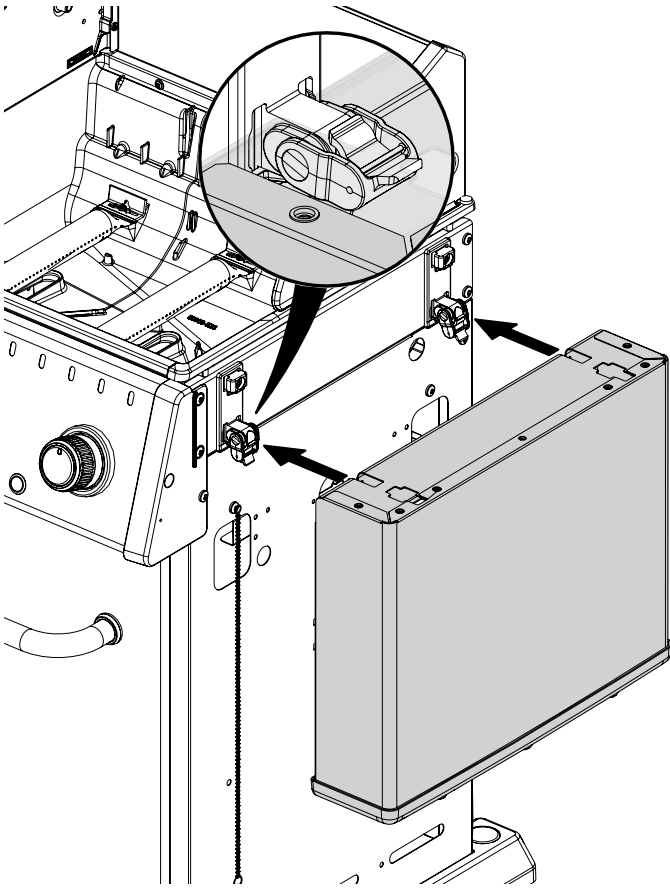


16

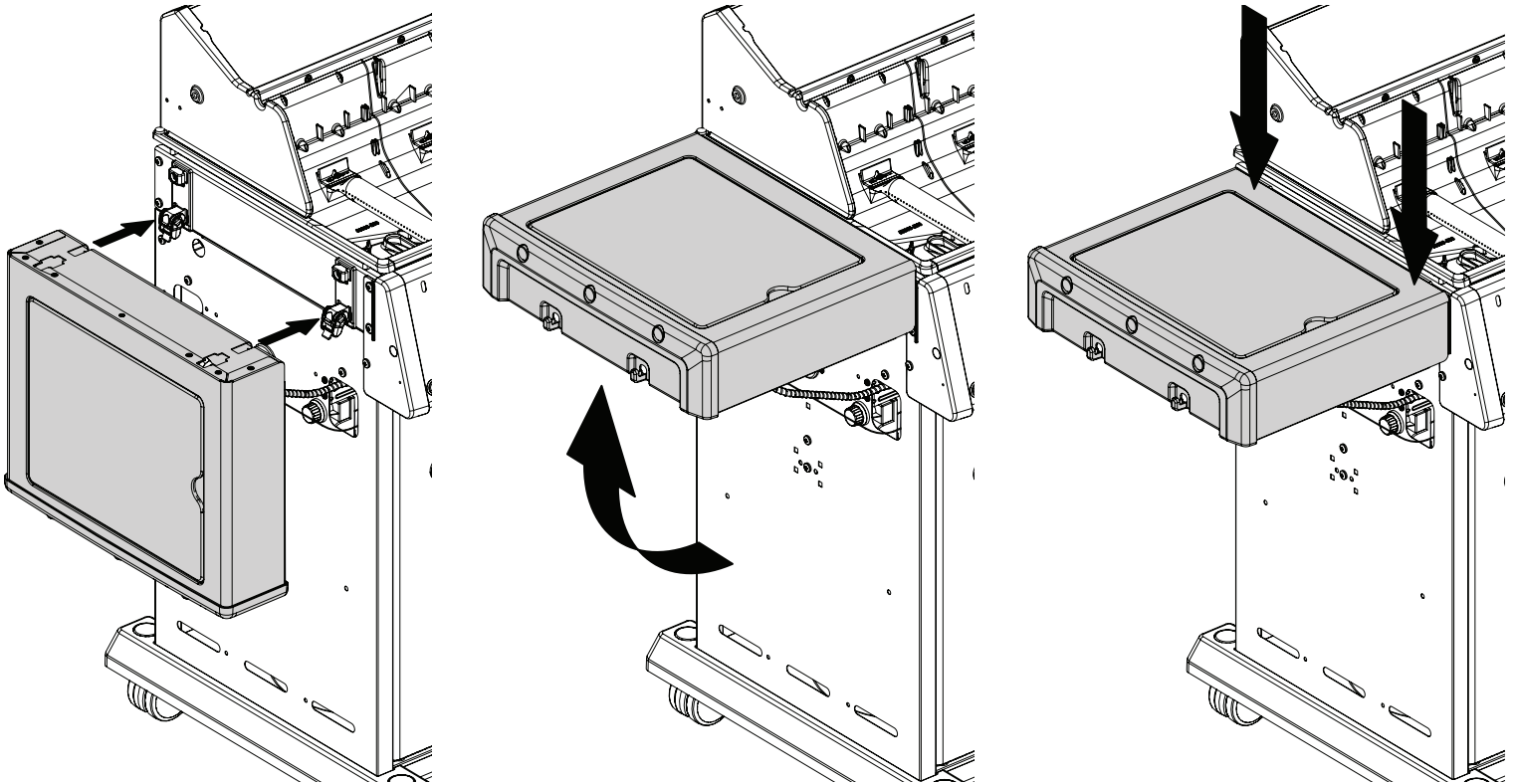
(6)



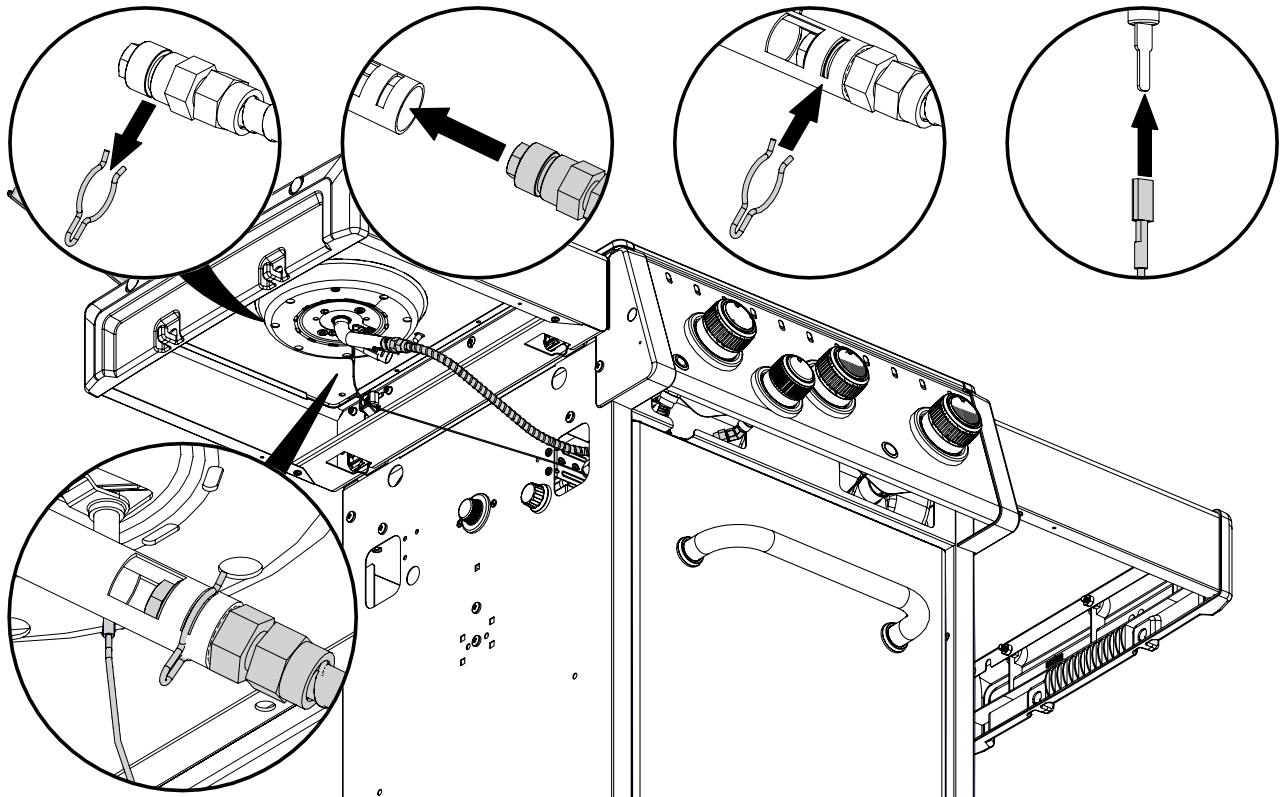
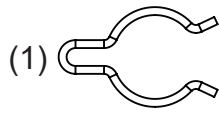
17

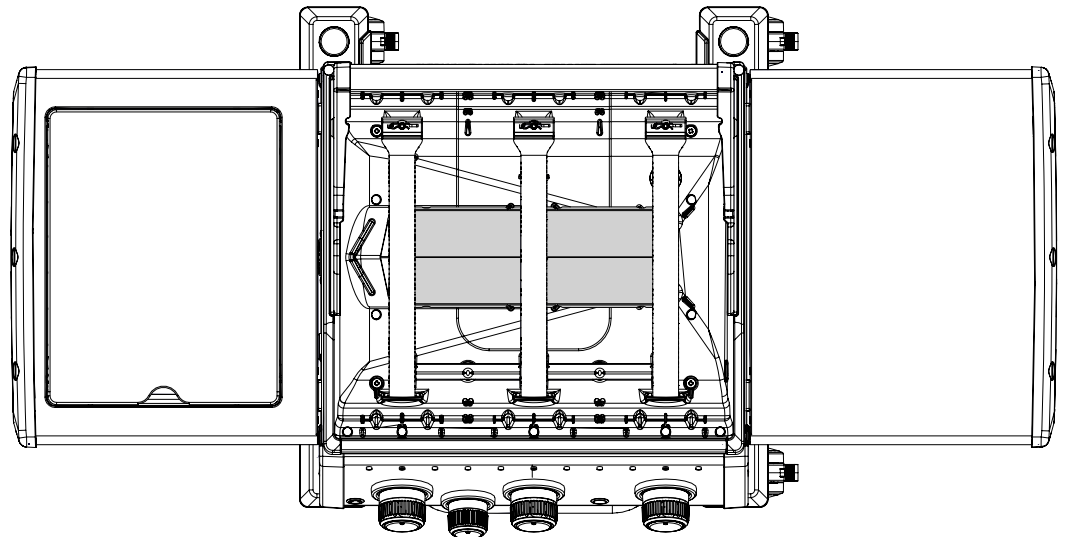
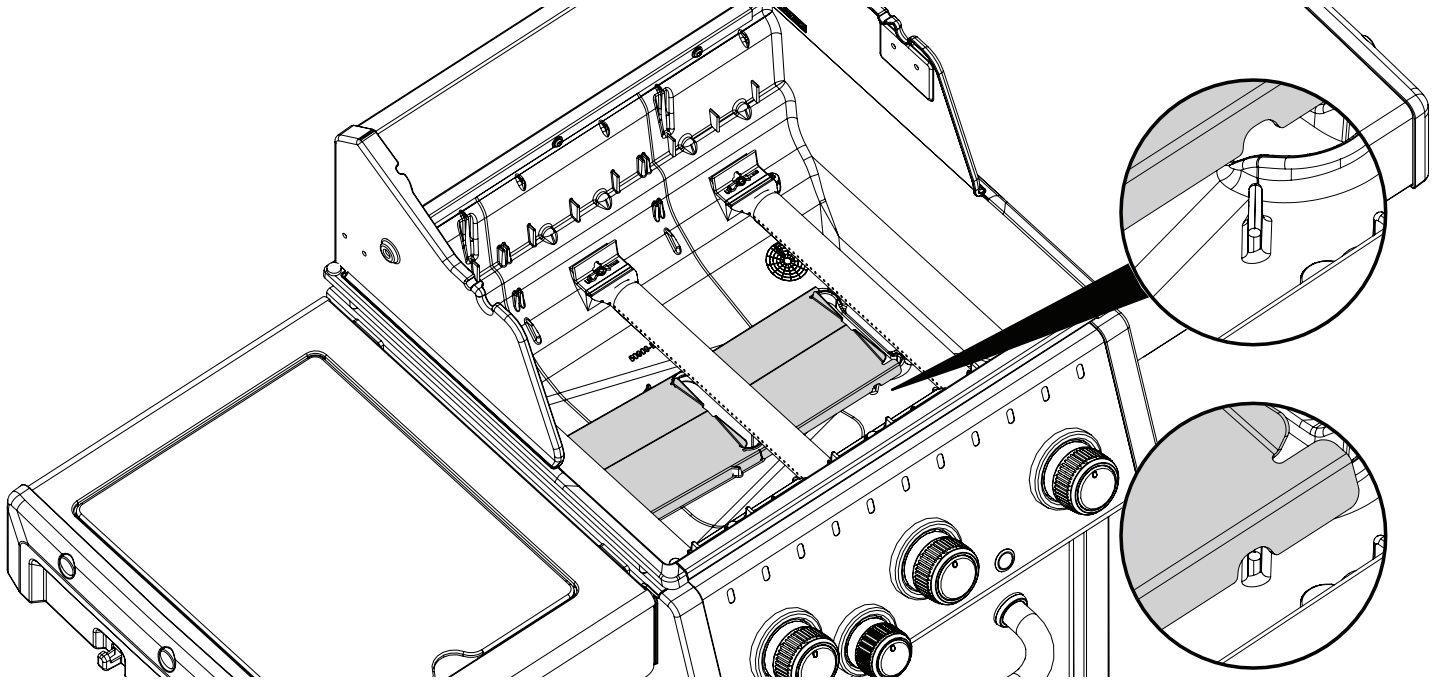
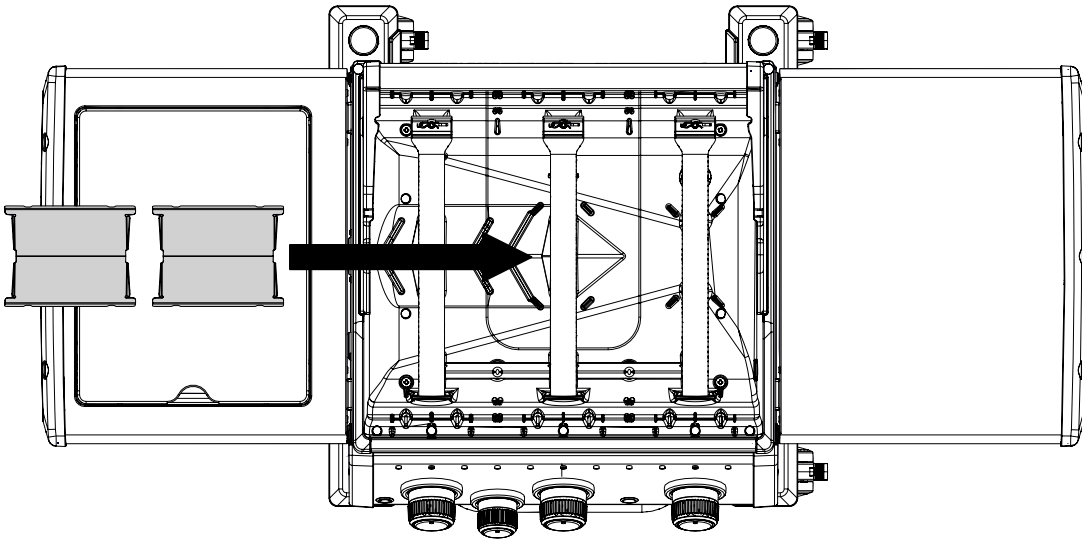


18

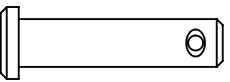


19





21

- (2) 
- (2) 