

Broil King®

ASSEMBLY MANUAL & PARTS LIST - MANUEL DE MONTAGE & LISTE DE PIÈCES - MANUAL DE ARMADO Y LISTA DE PARTES

Broil King®
495911



Broil King®
496911

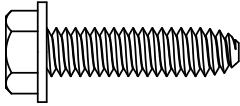

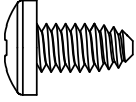
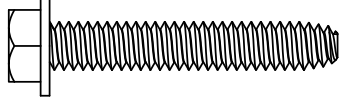
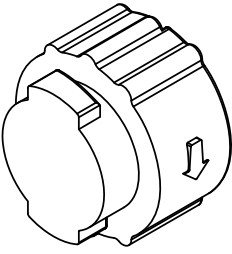
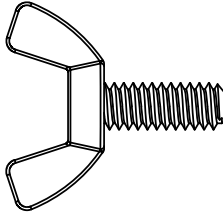
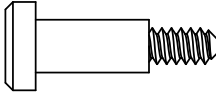

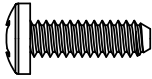


RETAIN FOR FUTURE REFERENCE - VEUILLEZ CONSERVER POUR REFERENCE ULTERIEURE - CONSERVER PARA FUTURAS CONSULTAS



HARDWARE INCLUDED / MATERIAL INCLUS / EQUIPOS INCLUIDO



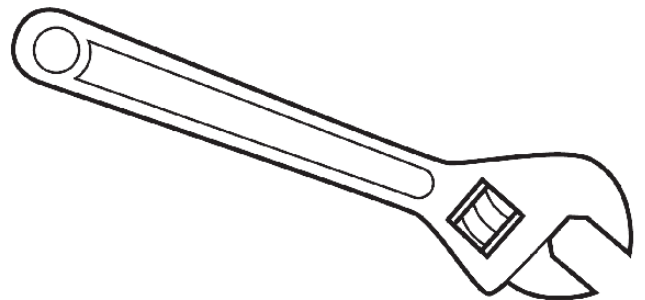
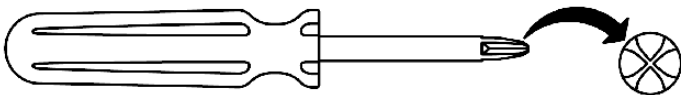
Y-12859S		X12	G01CH038		X2
Y-12865S		X12	Y-11560S		X6
49302-26		X1	Y-11698S		X2
63599-73		X6	S21061		X2
Y-29304S		X8			



TOOLS REQUIRED / OUTILS NECESSAIRES / HERRAMIENTAS NECESARIAS

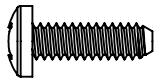


#3 PHILLIPS

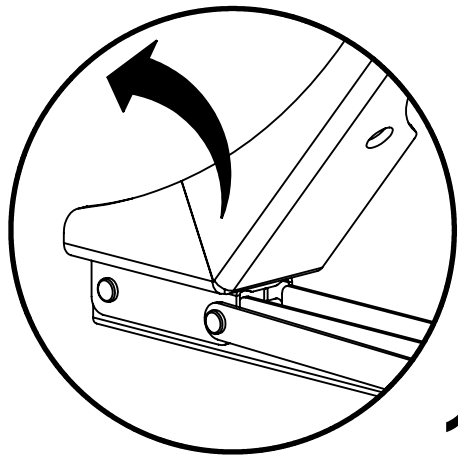
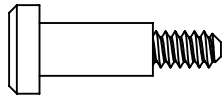


1

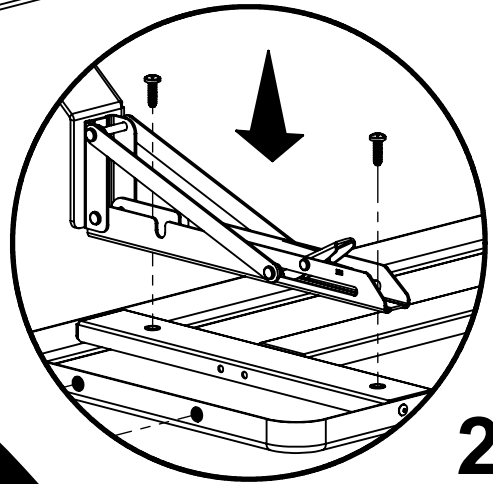
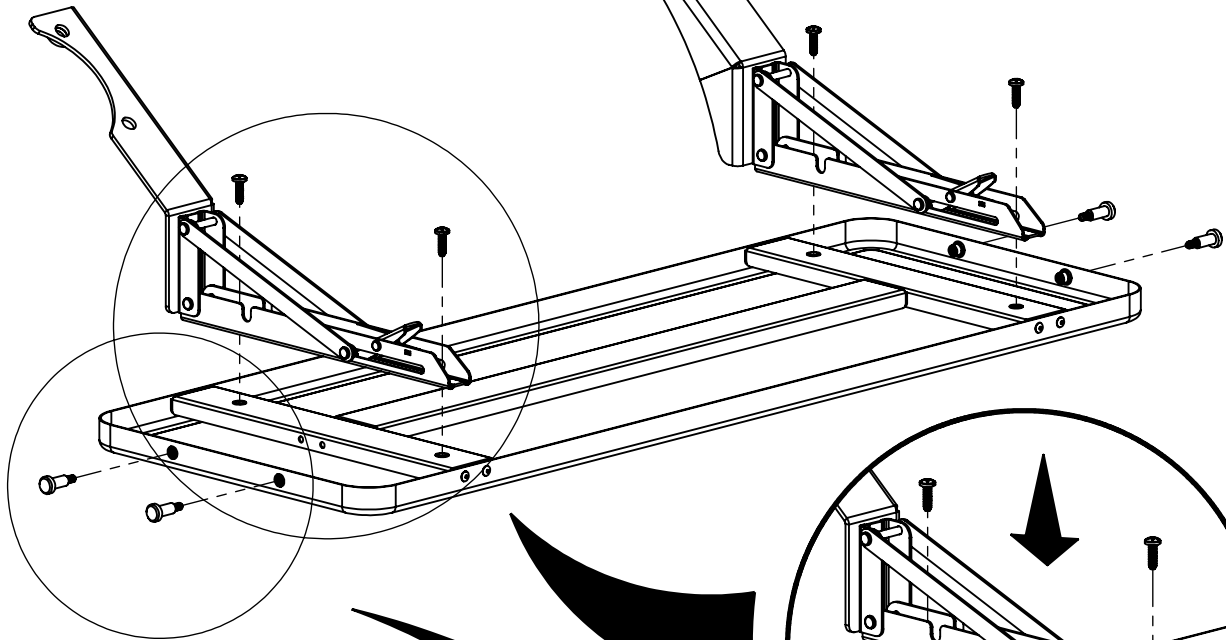
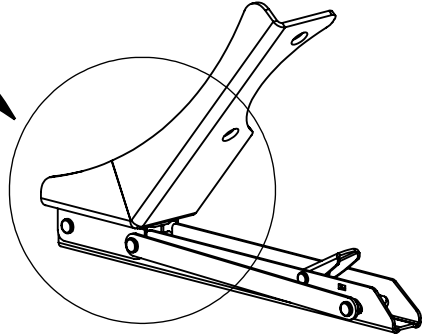
(4)



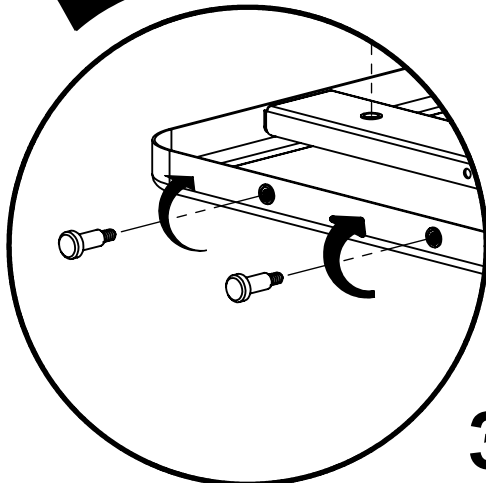
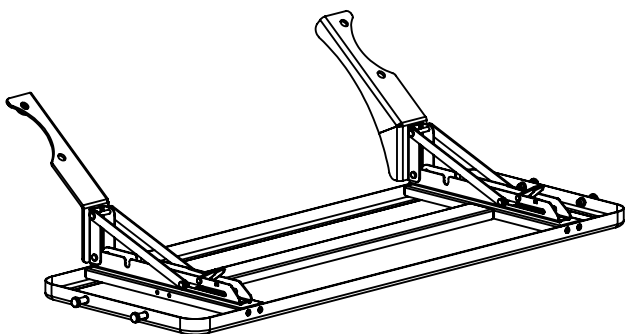
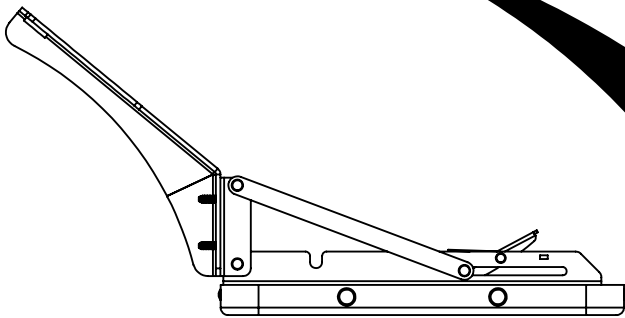
(4)



1



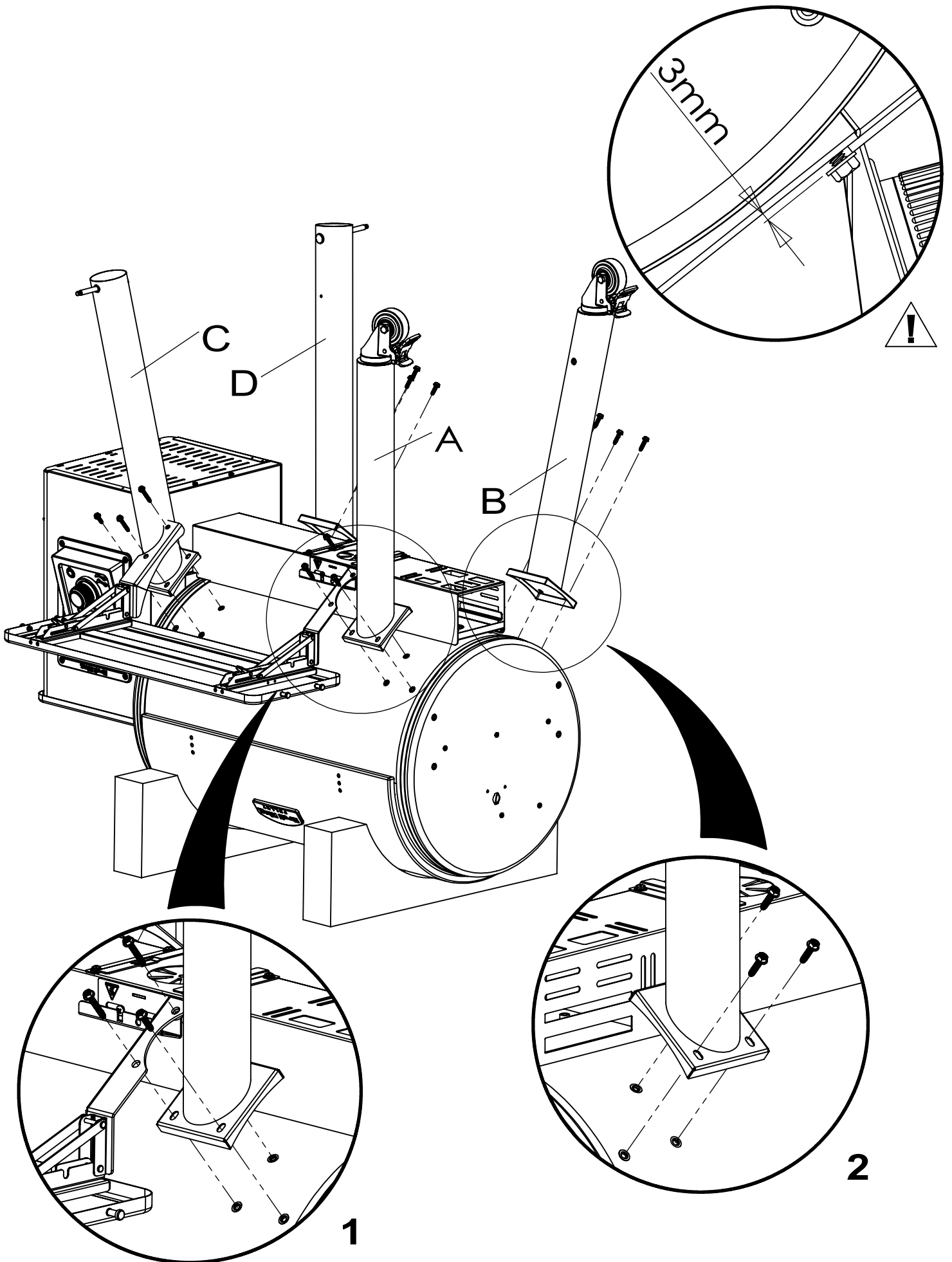
2



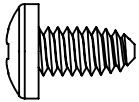

3

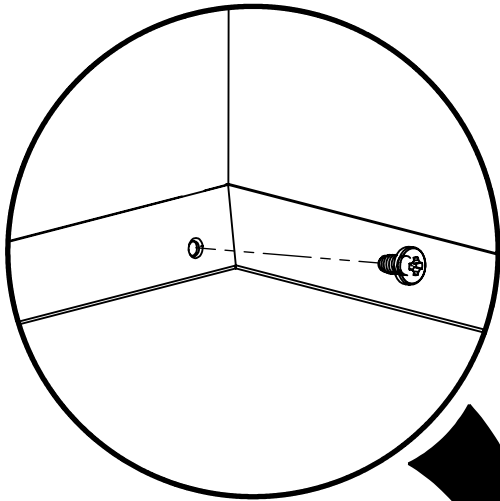
2

(8)  (4) 

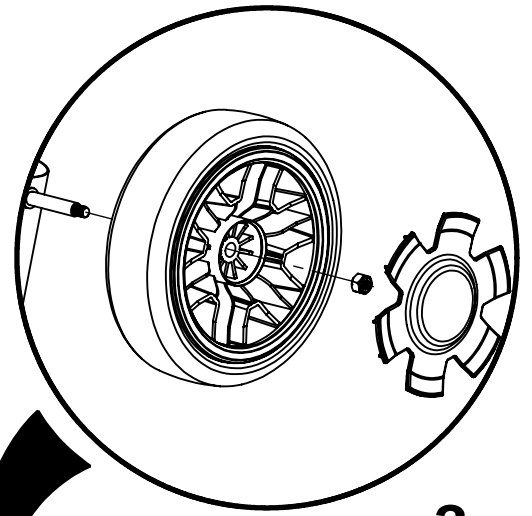


3

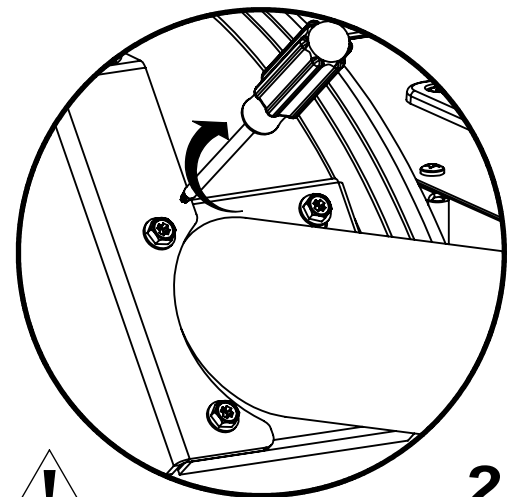
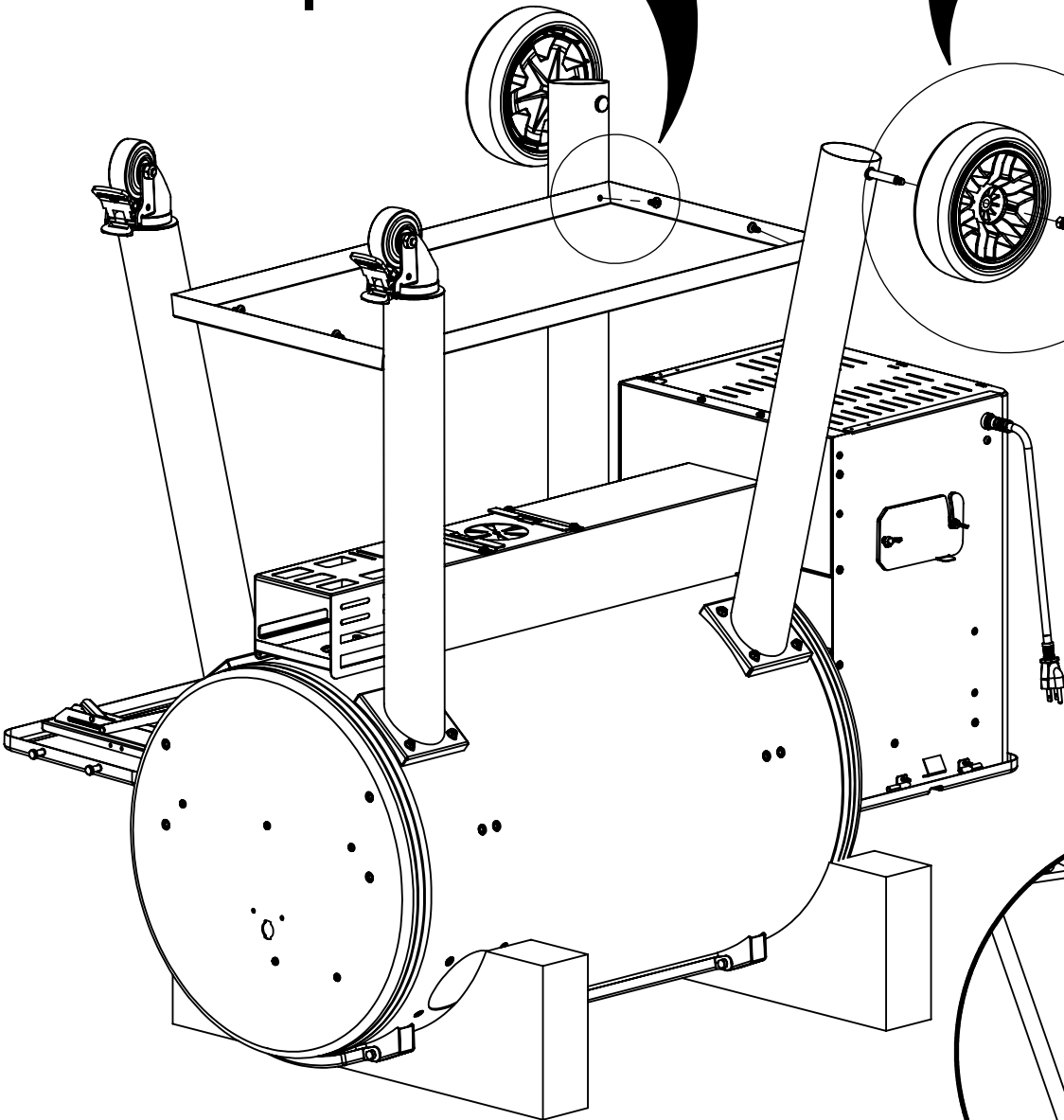
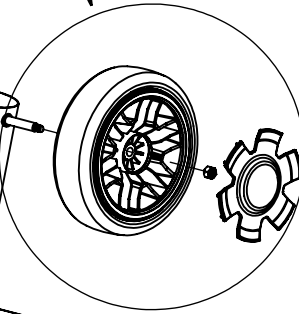
(4)  (2) 



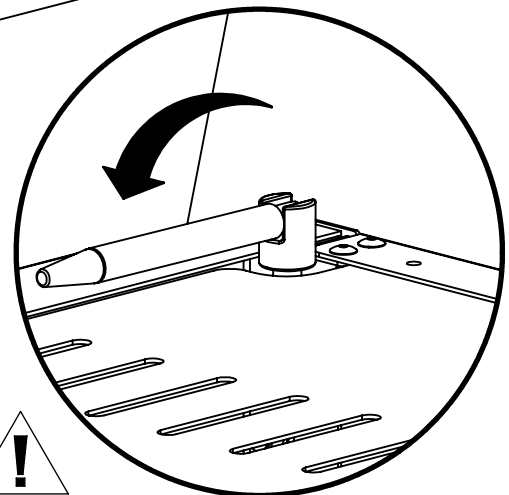
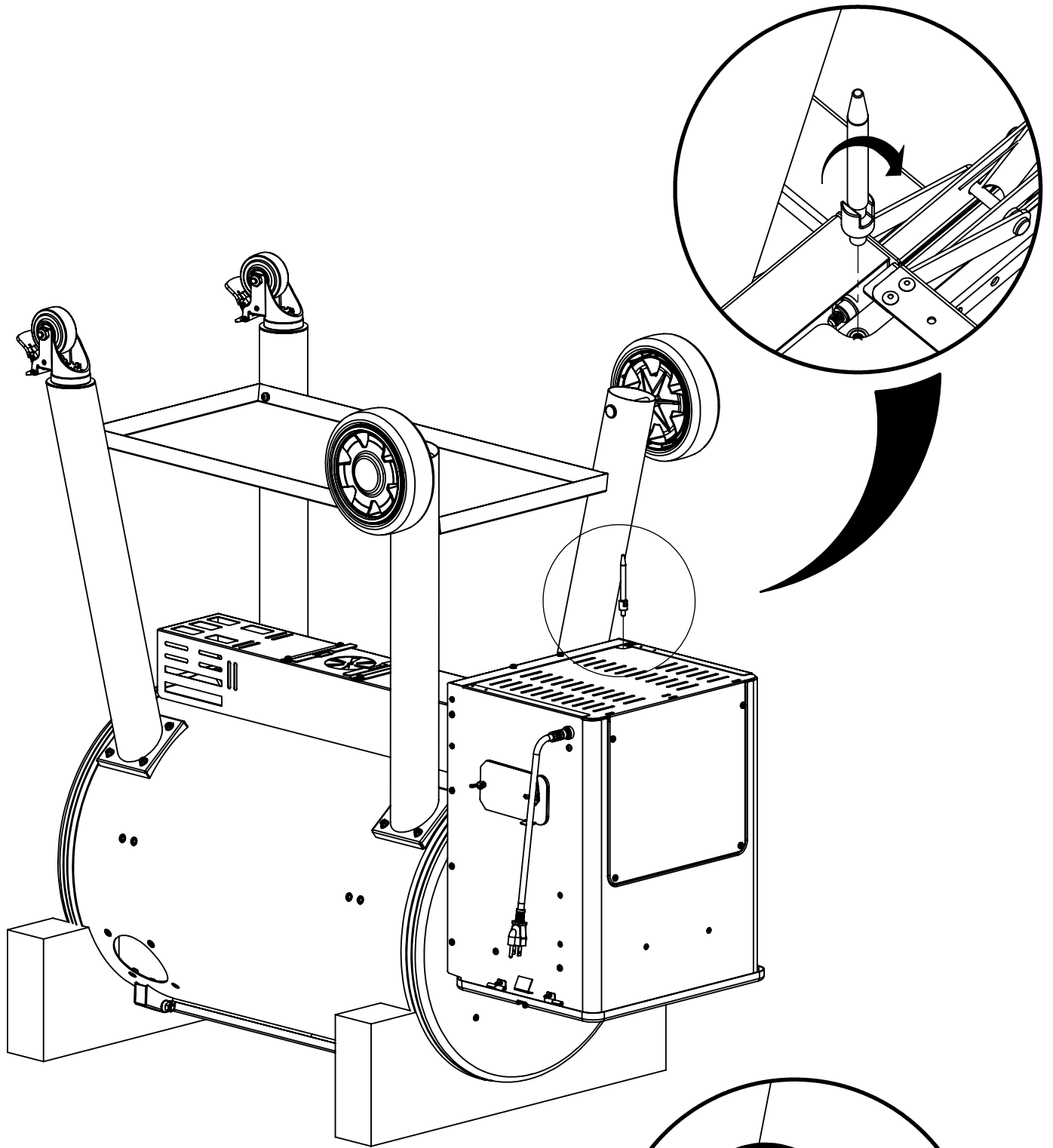
1

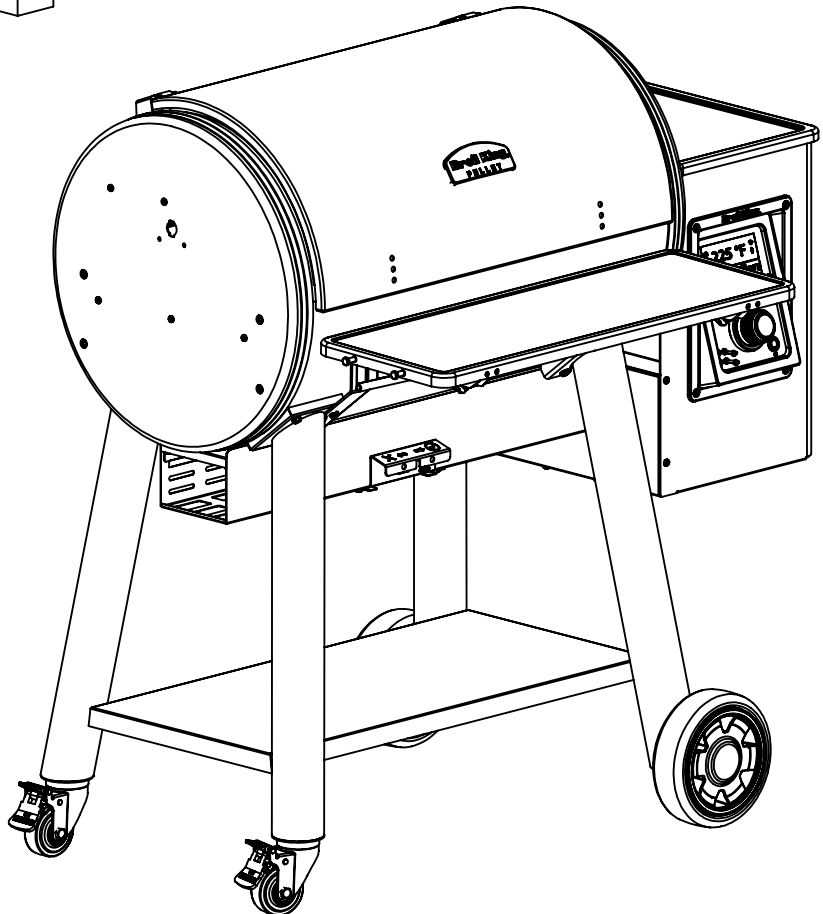
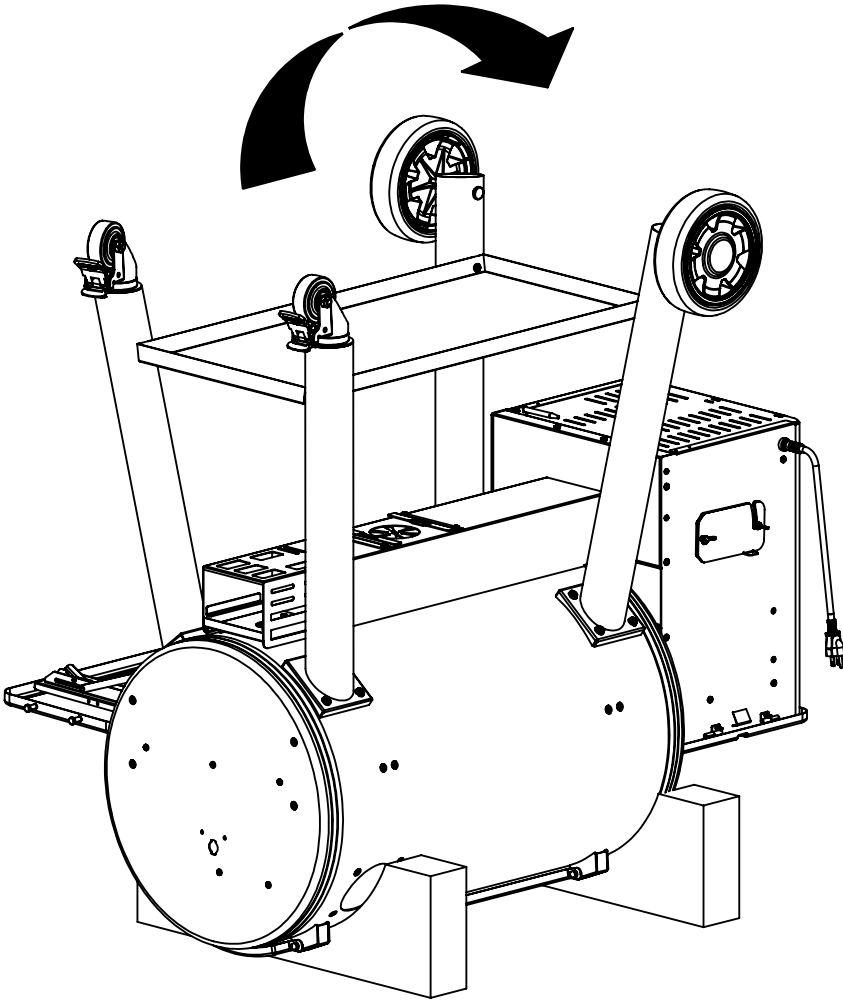


3

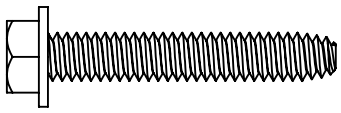


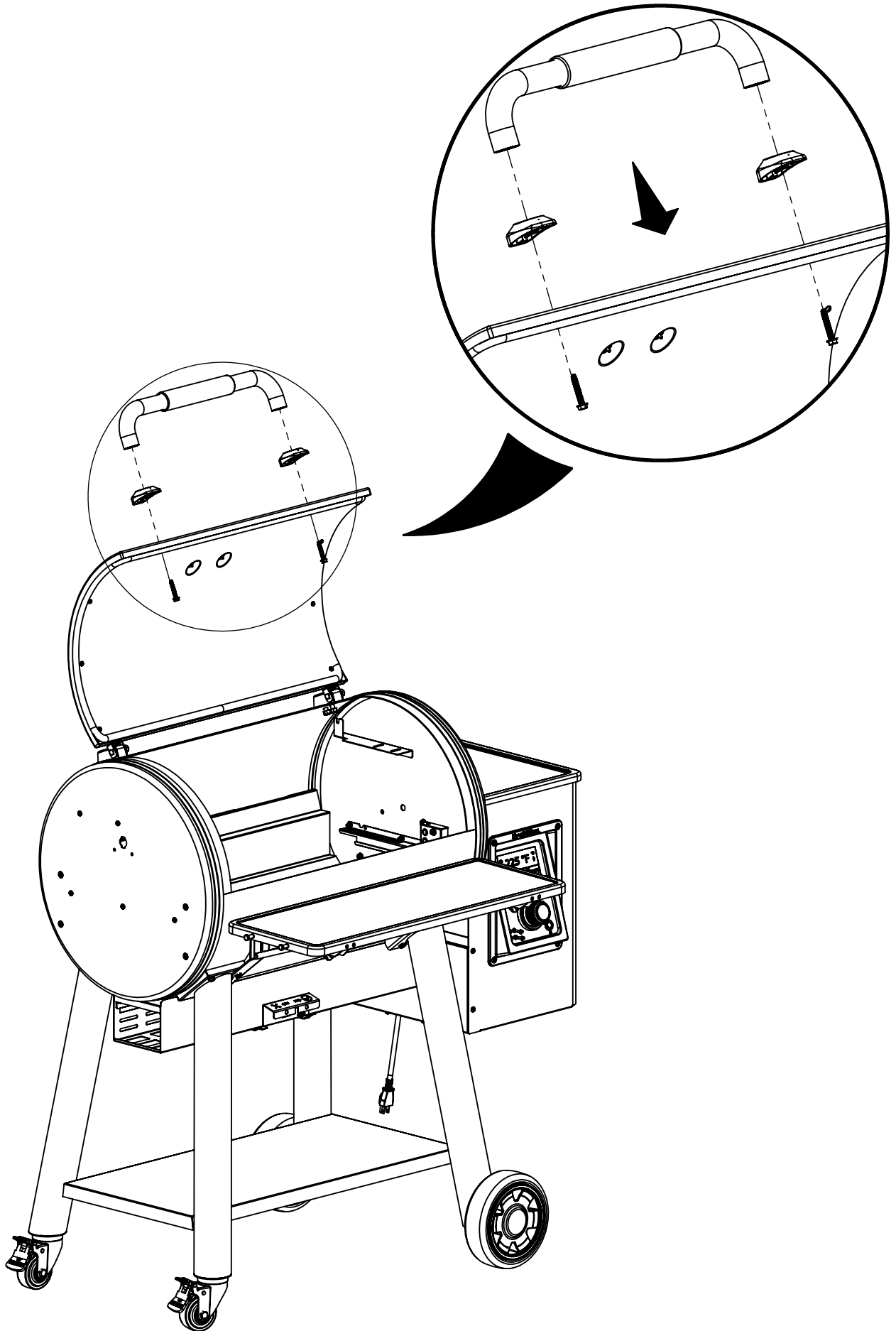
2





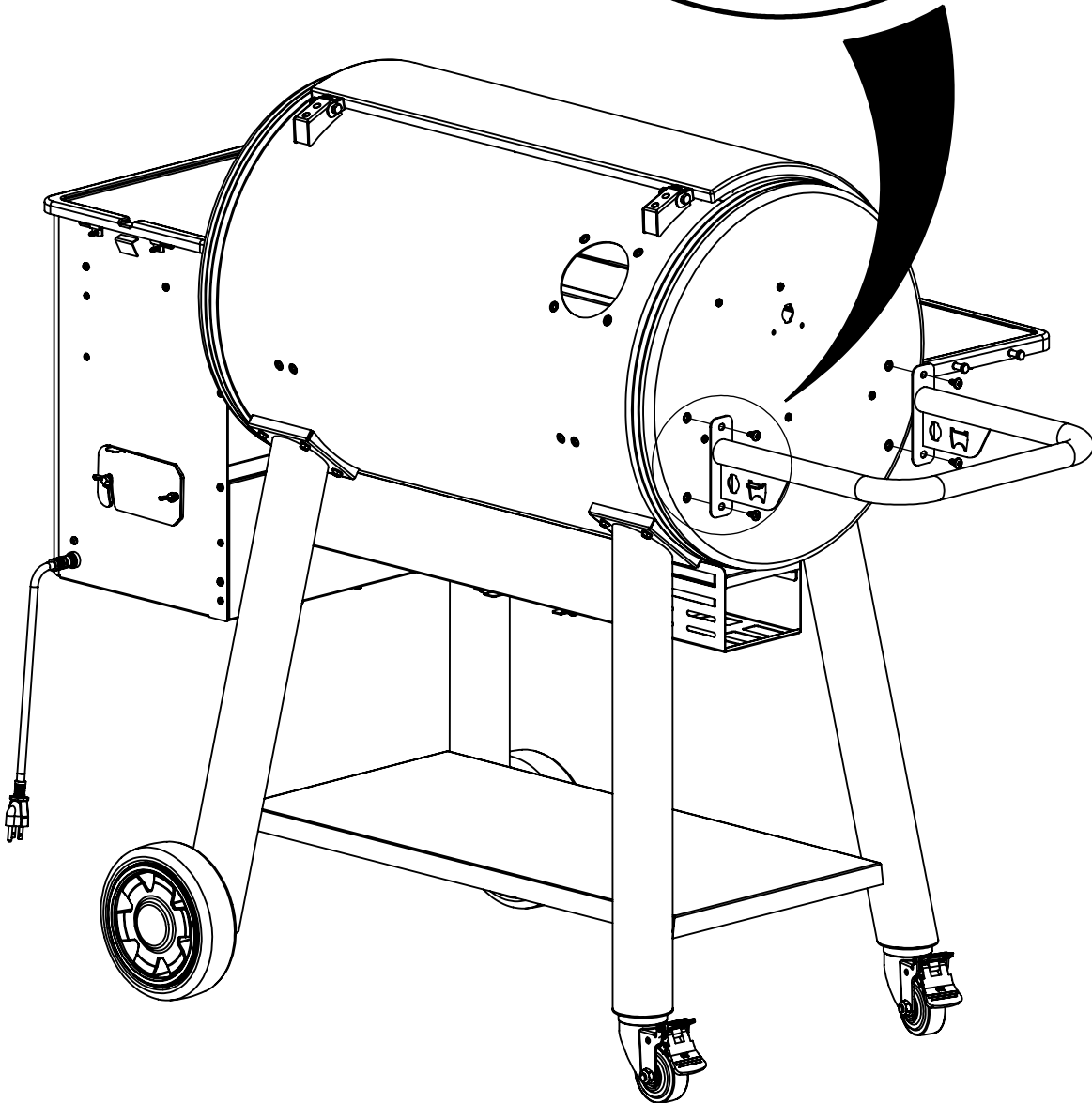
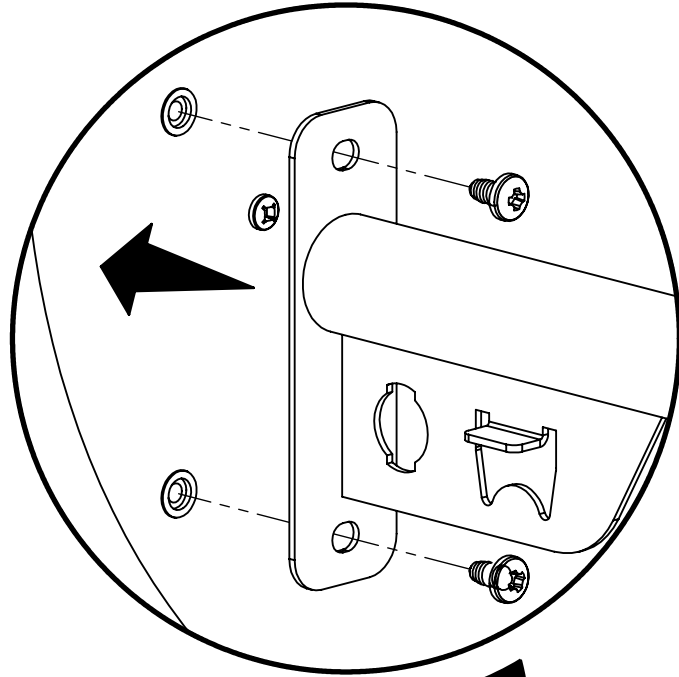
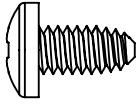
6

(2) 

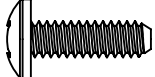


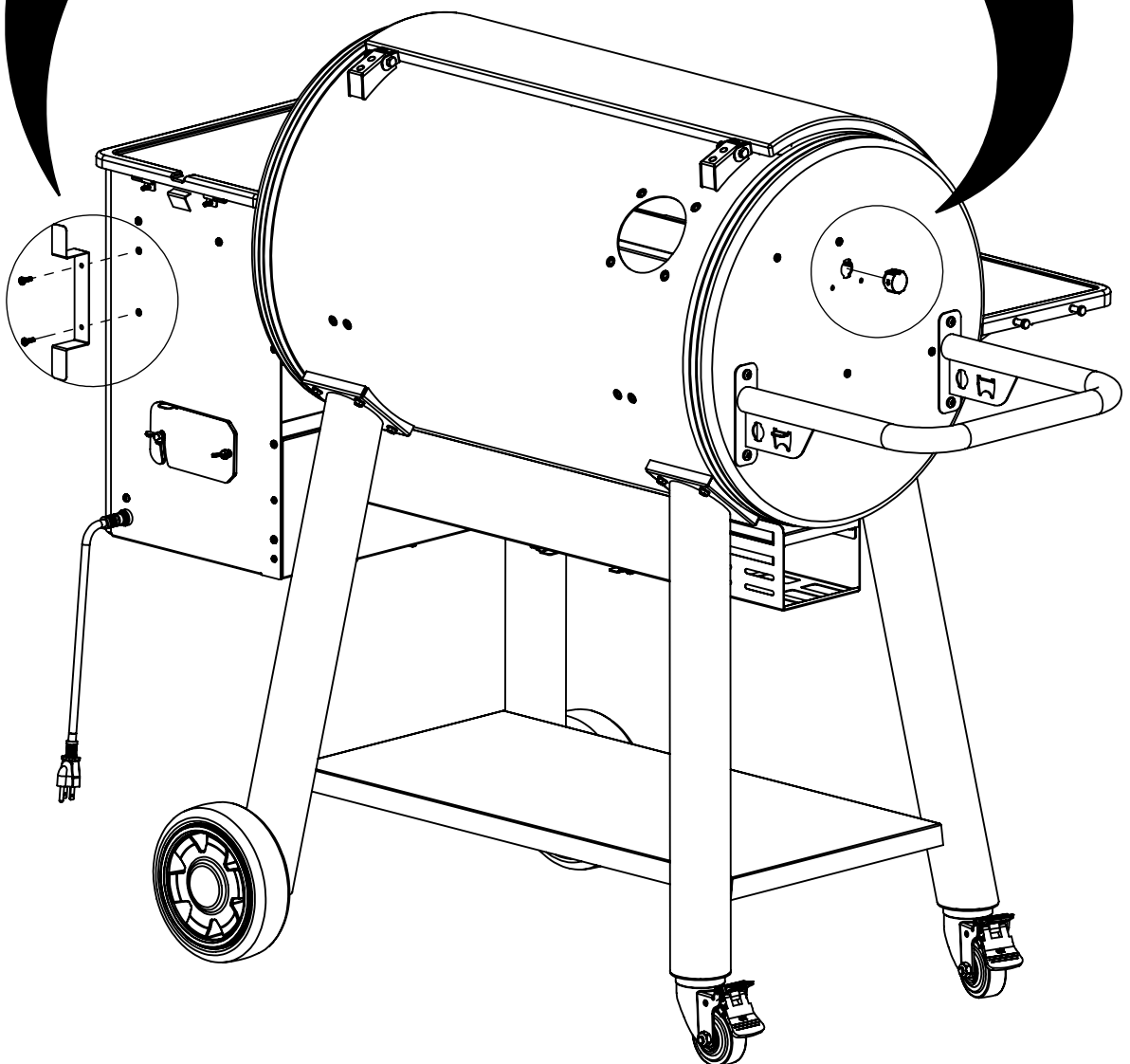
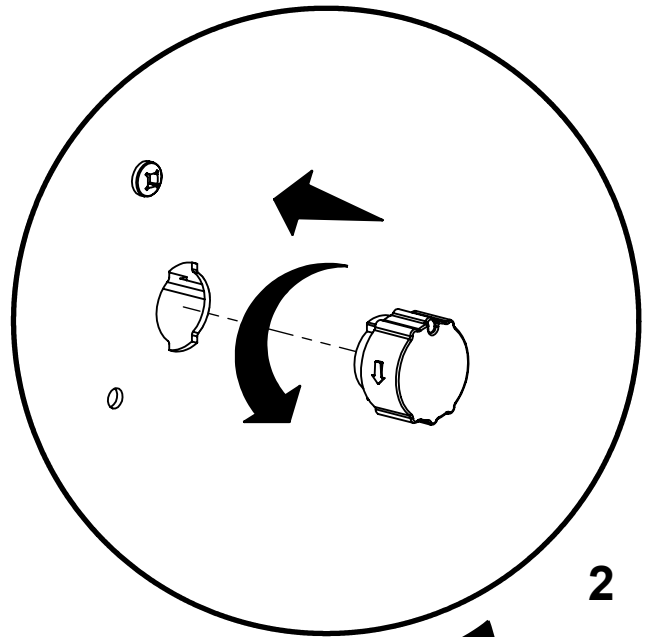
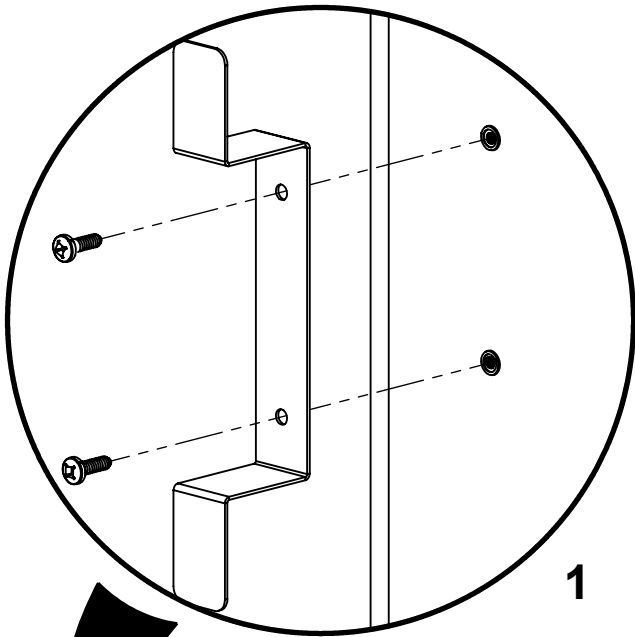
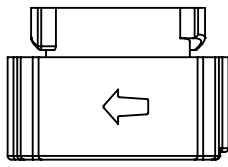
7

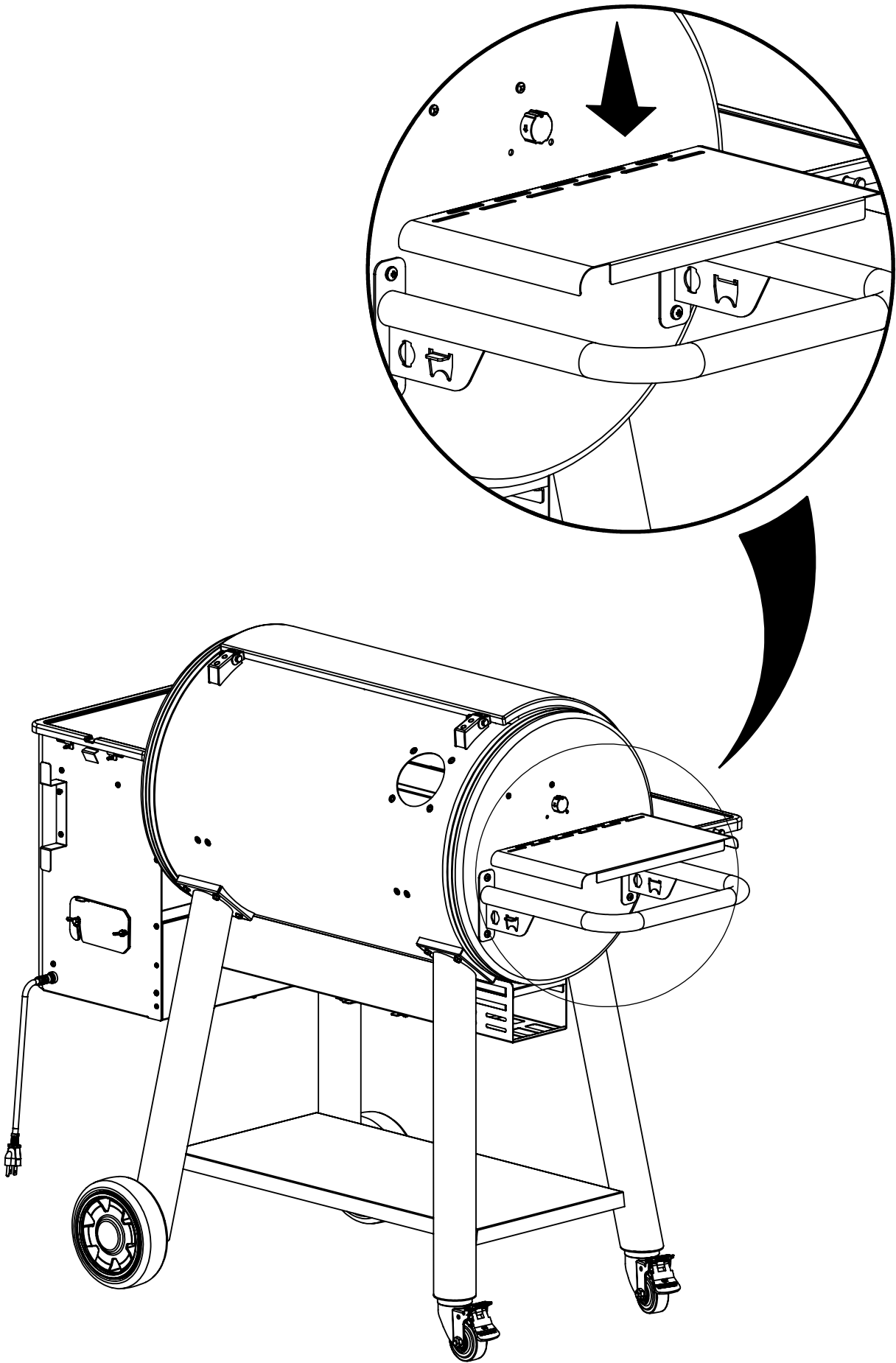
(4)



8

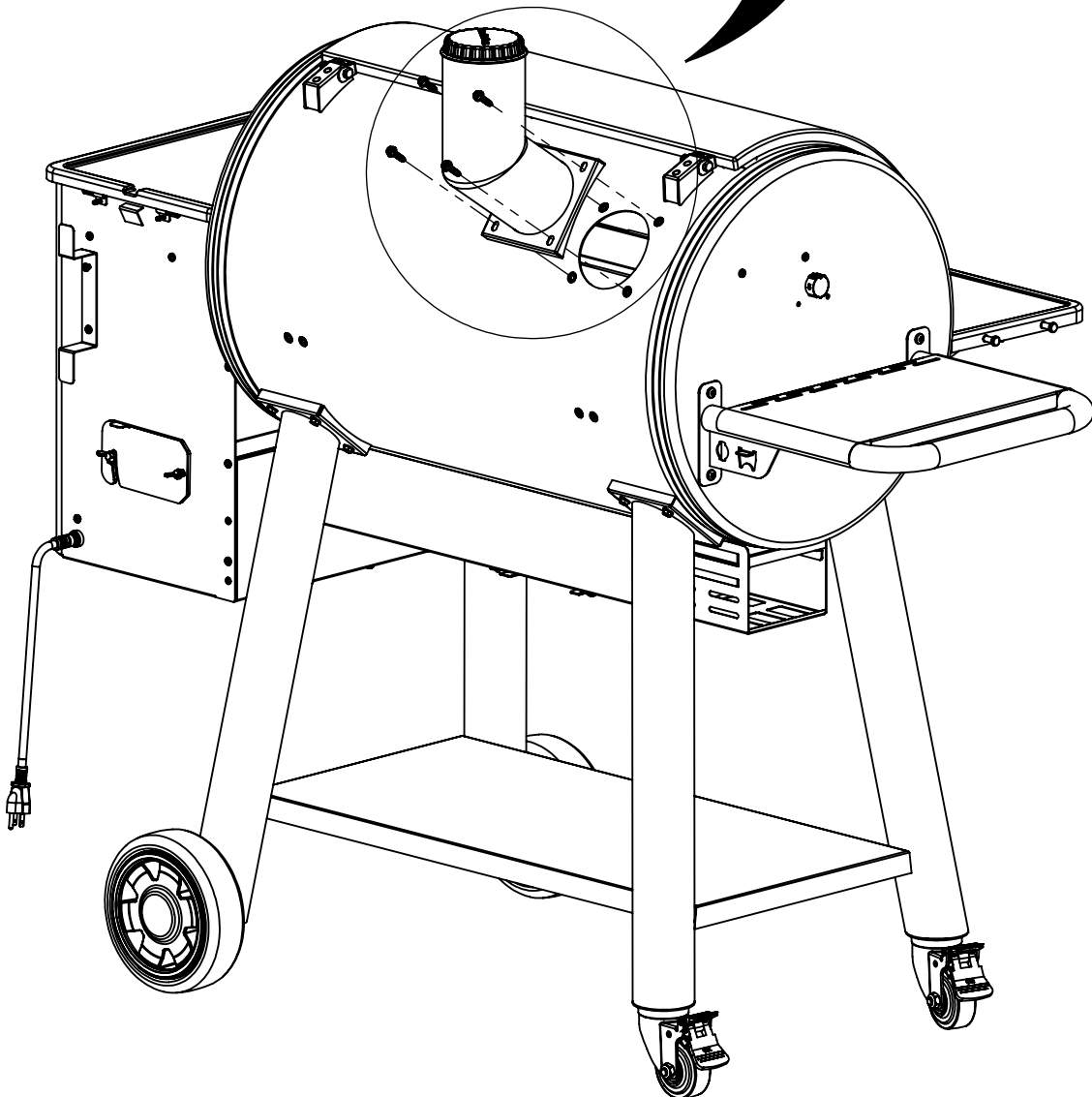
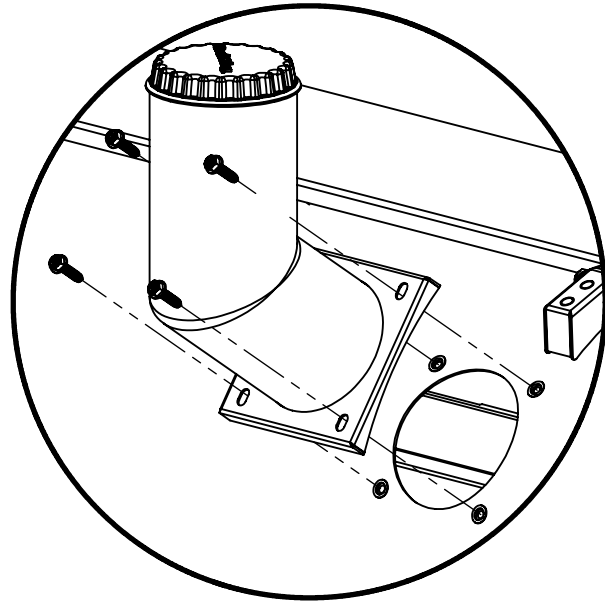
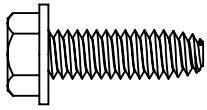
(2)  (1)





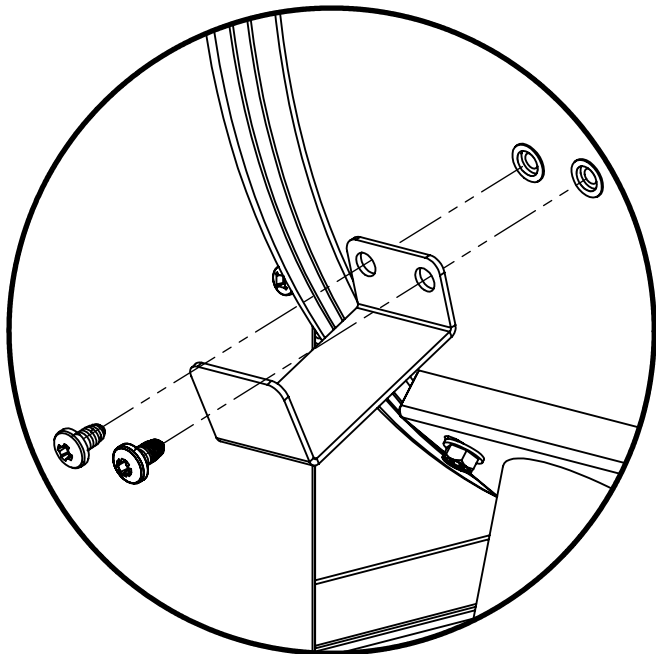
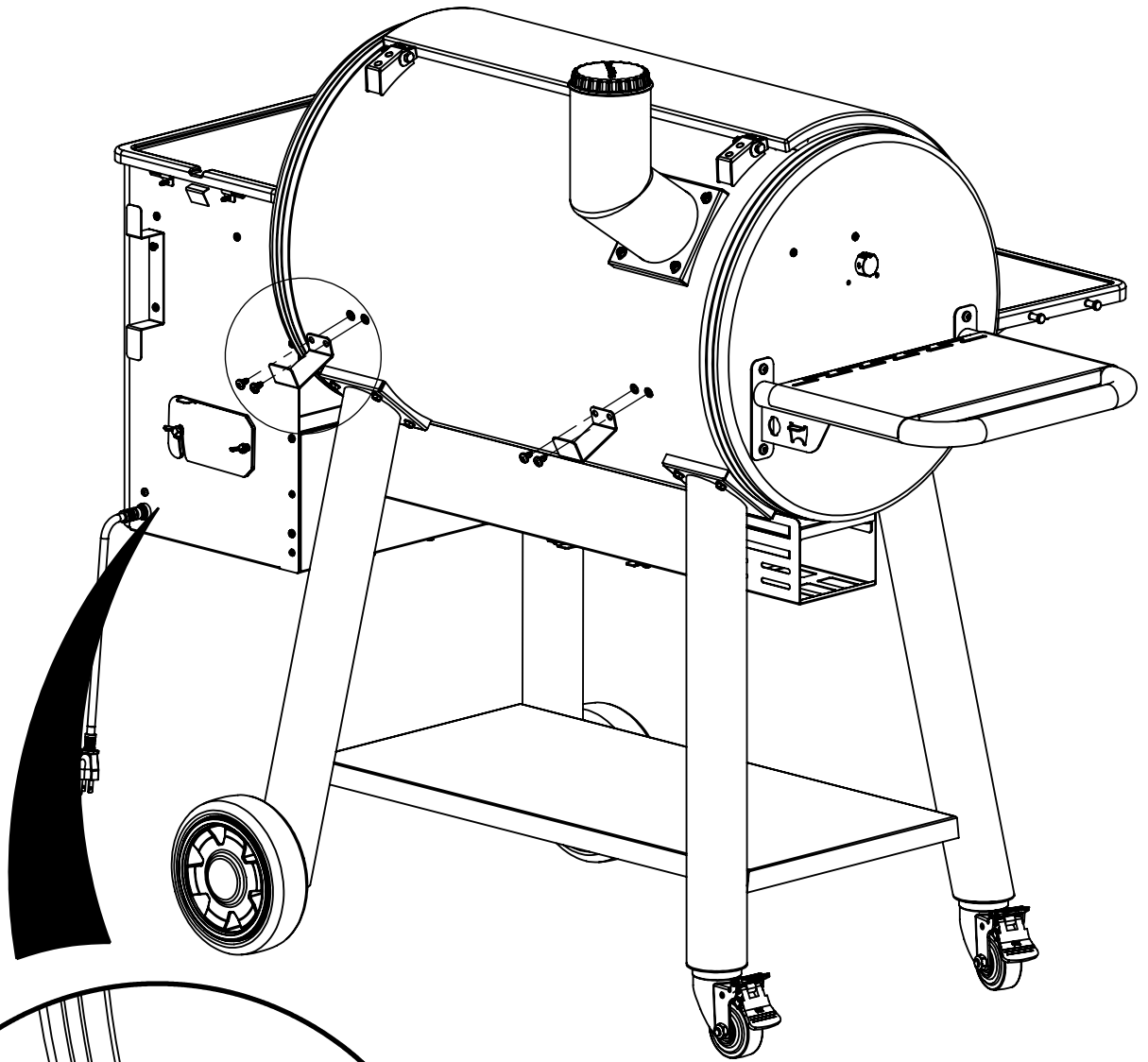
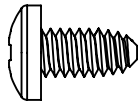
10

(4)



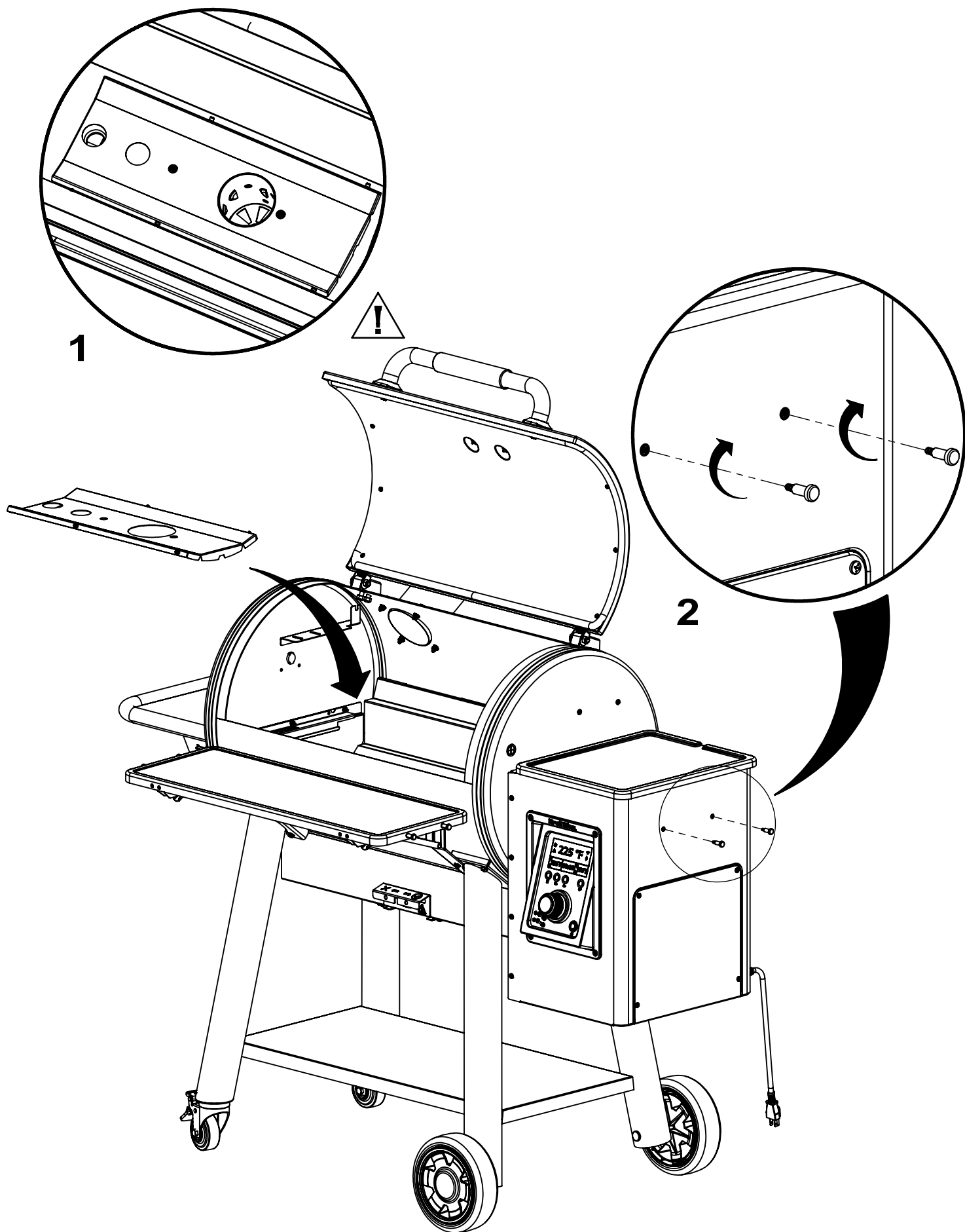
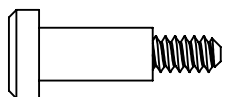
11

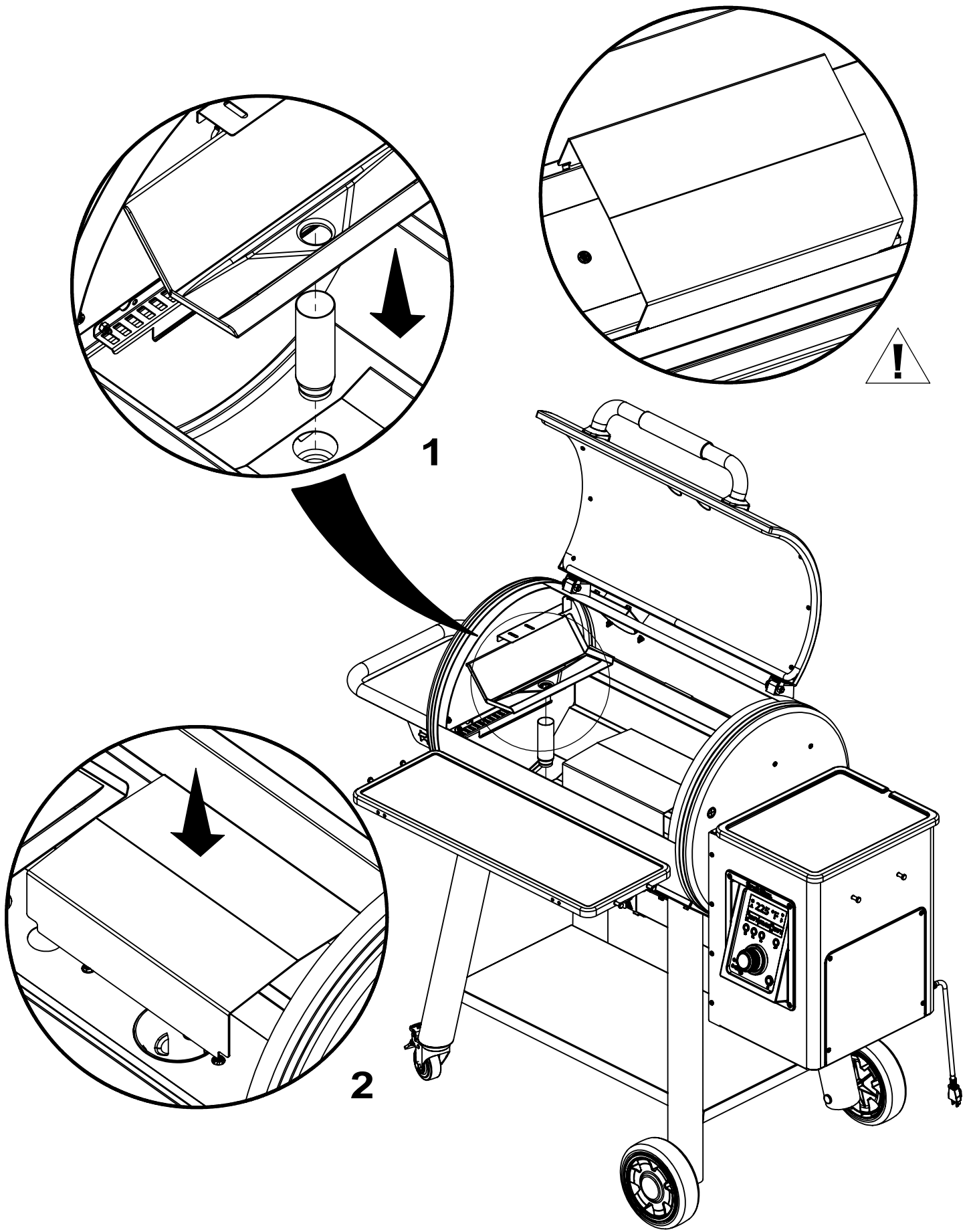
(4)

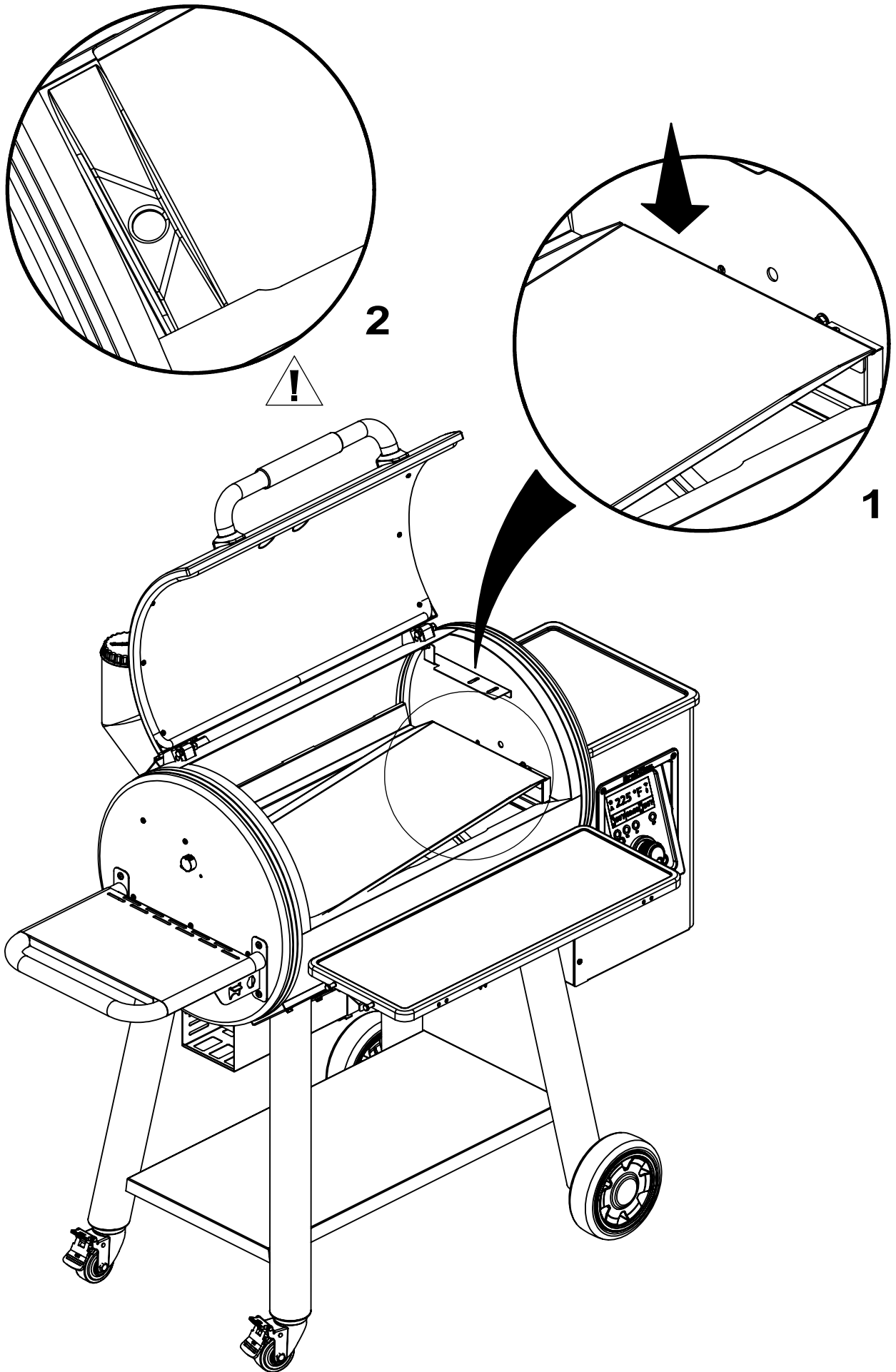


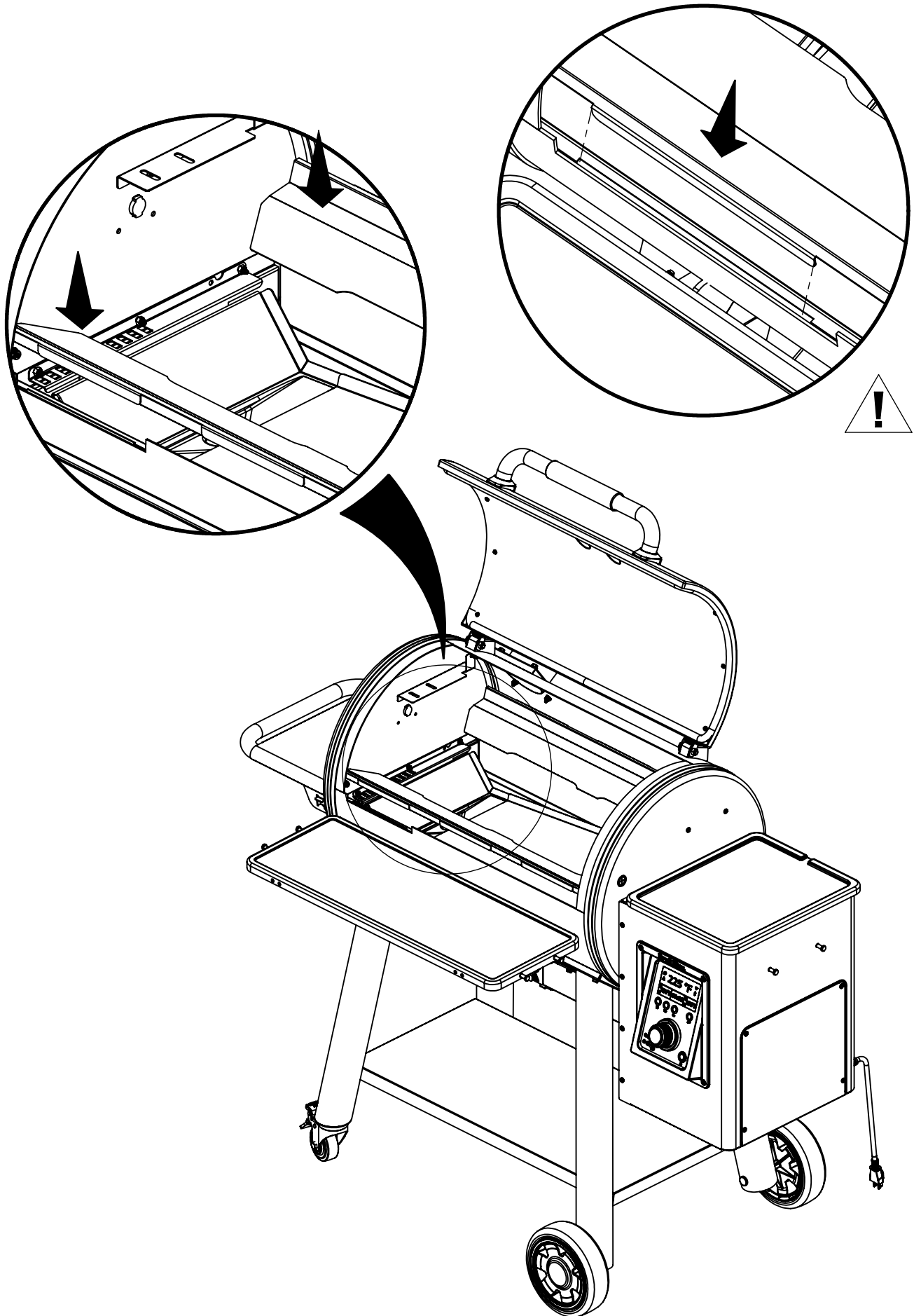
12

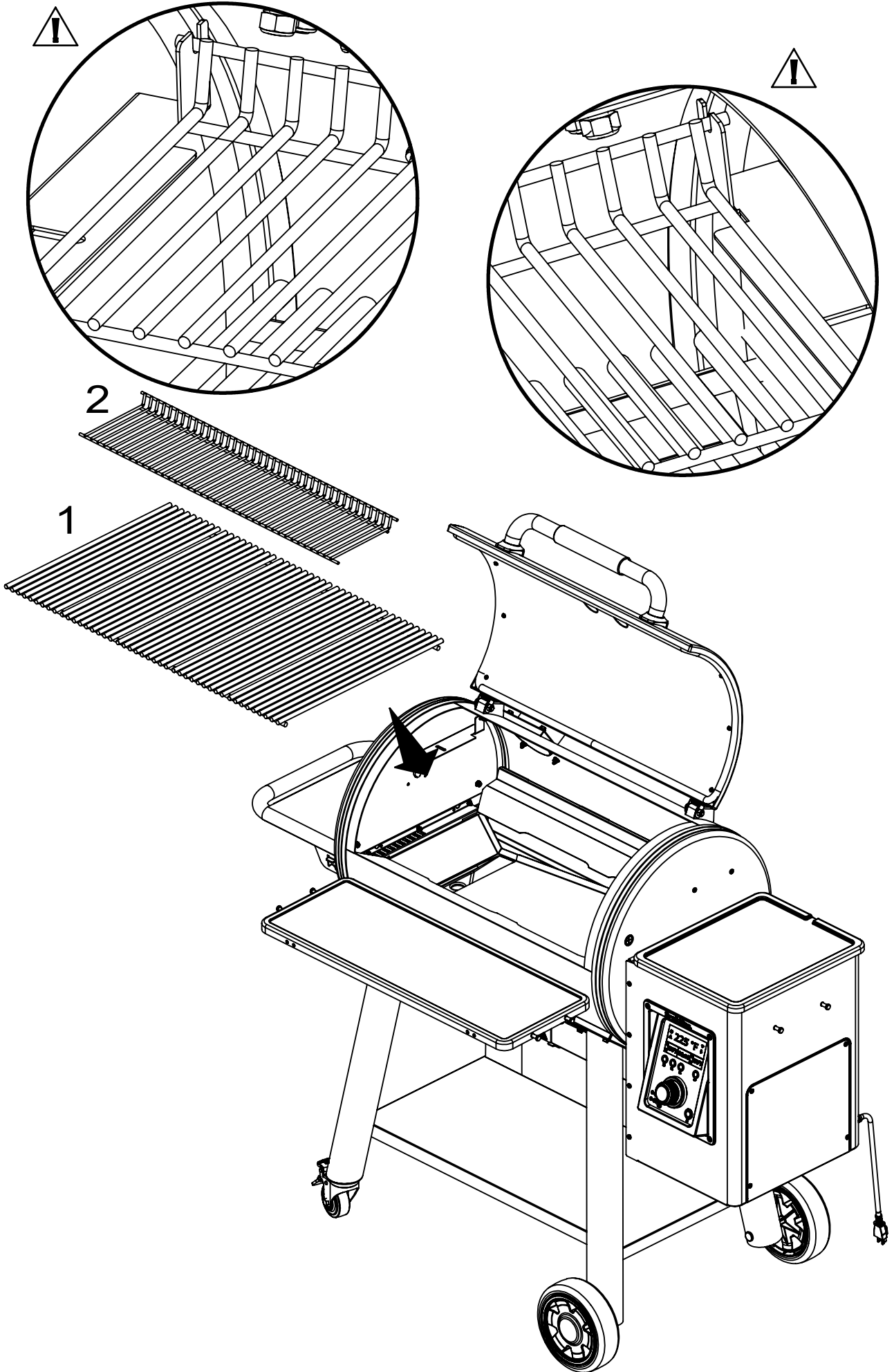
(2)

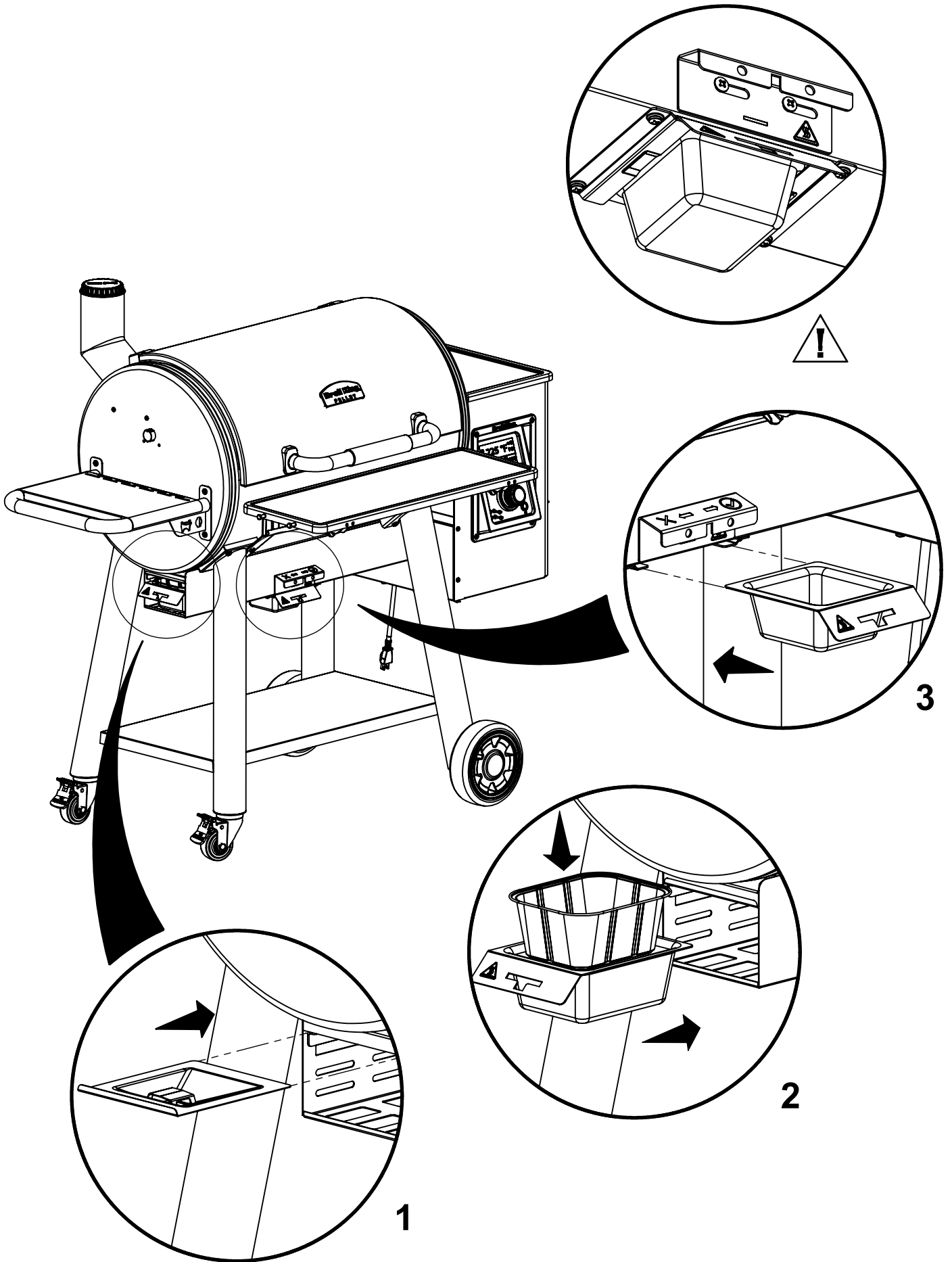


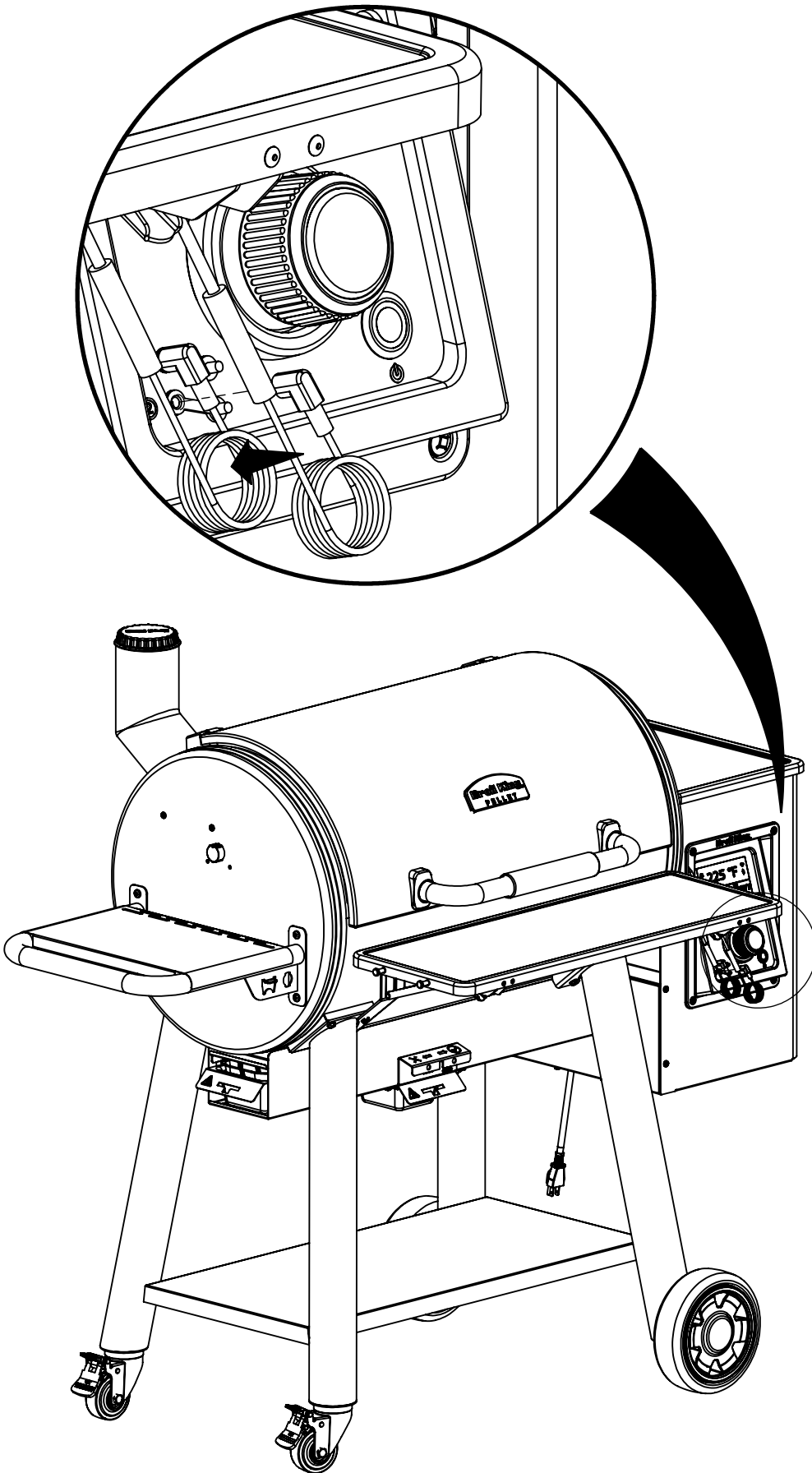




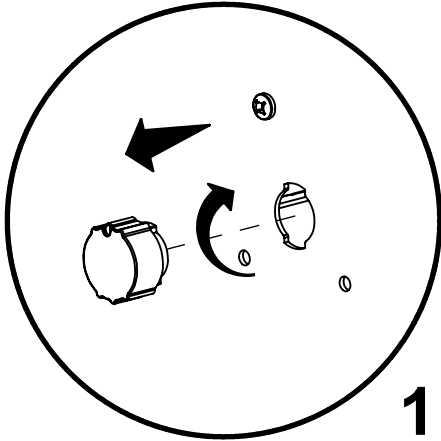
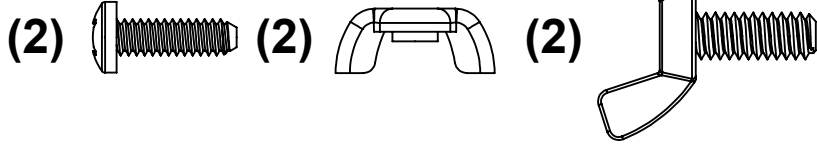




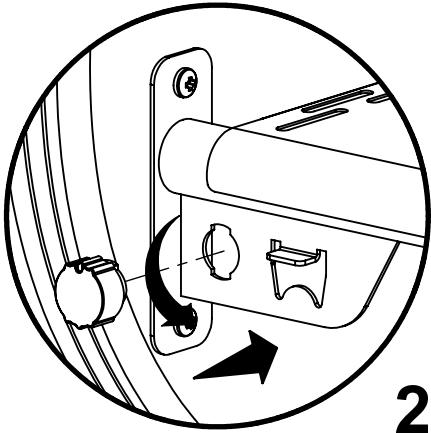




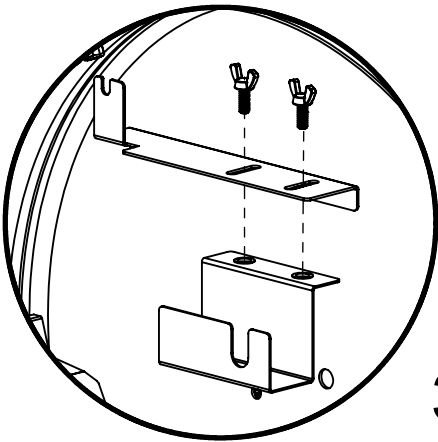
19



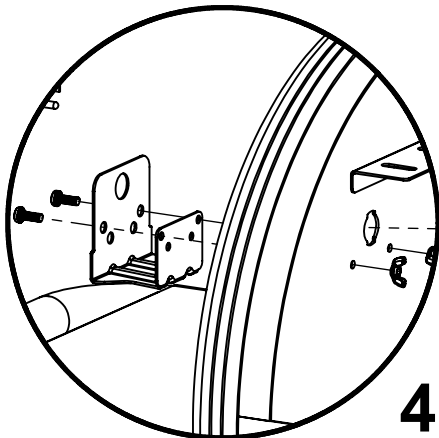
1



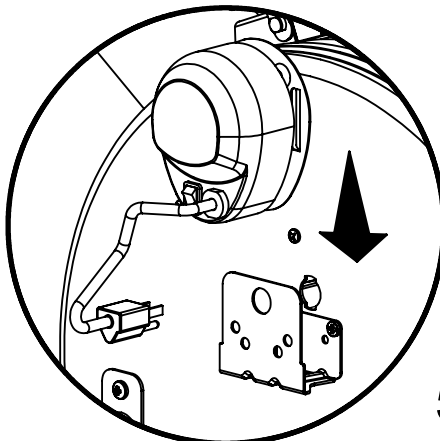
2



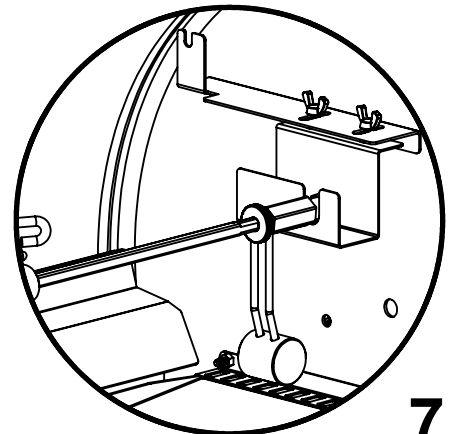
3



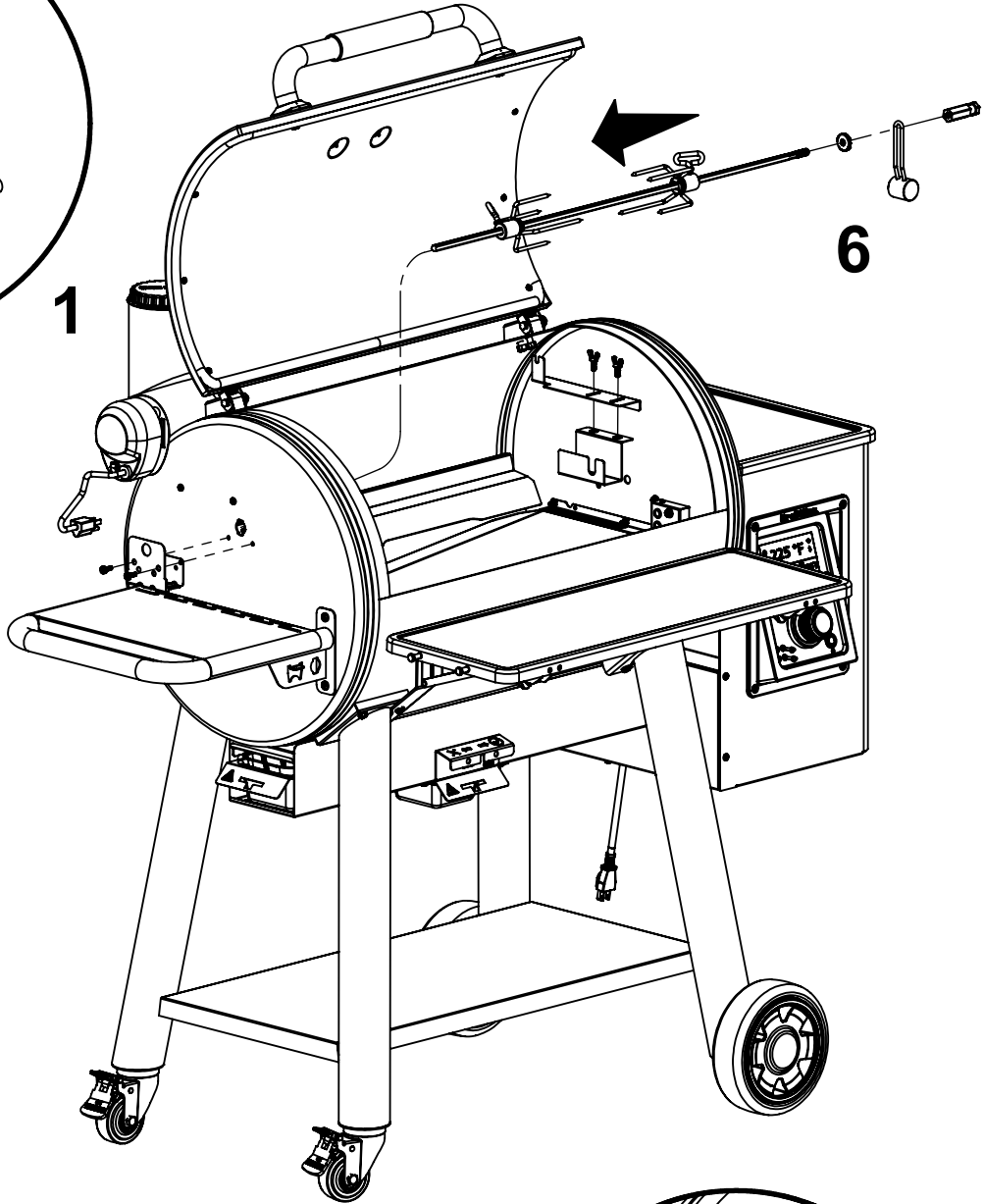
4



5



7



6

