

# Broil King®

ASSEMBLY MANUAL & PARTS LIST - MANUEL DE MONTAGE & LISTE DE PIÈCES - MANUAL DE ARMADO Y LISTA DE PARTES

**Broil King®**  
495051



**Broil King®**  
496051

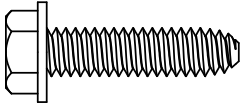

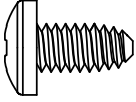
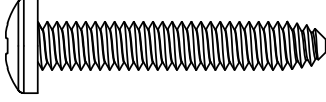
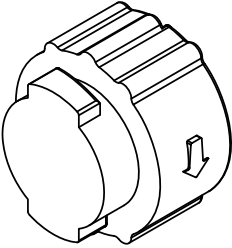
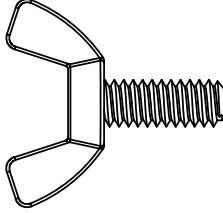
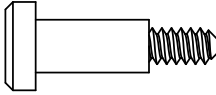

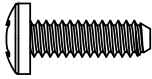


RETAIN FOR FUTURE REFERENCE - VEUILLEZ CONSERVER POUR REFERENCE ULTERIEURE - CONSERVER PARA FUTURAS CONSULTAS



HARDWARE INCLUDED / MATERIAL INCLUS / EQUIPOS INCLUIDO



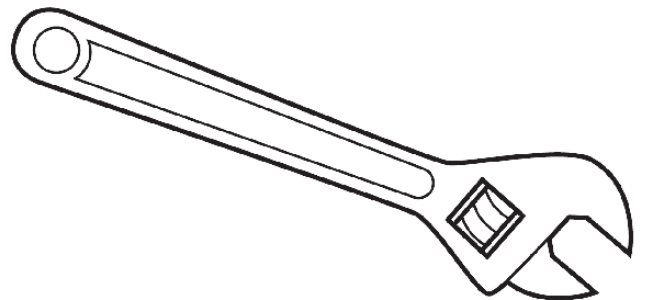
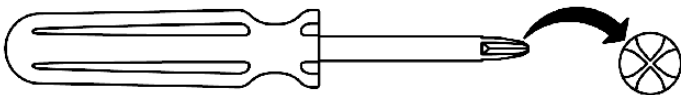
Y-12859S		X16	G01CH038		X2
Y-12865S		X12	Y-11560S		X2
49302-26		X1	Y-11698S		X2
63599-73		X2	S21061		X2
Y-29304S		X4			



TOOLS REQUIRED / OUTILS NECESSAIRES / HERRAMIENTAS NECESARIAS

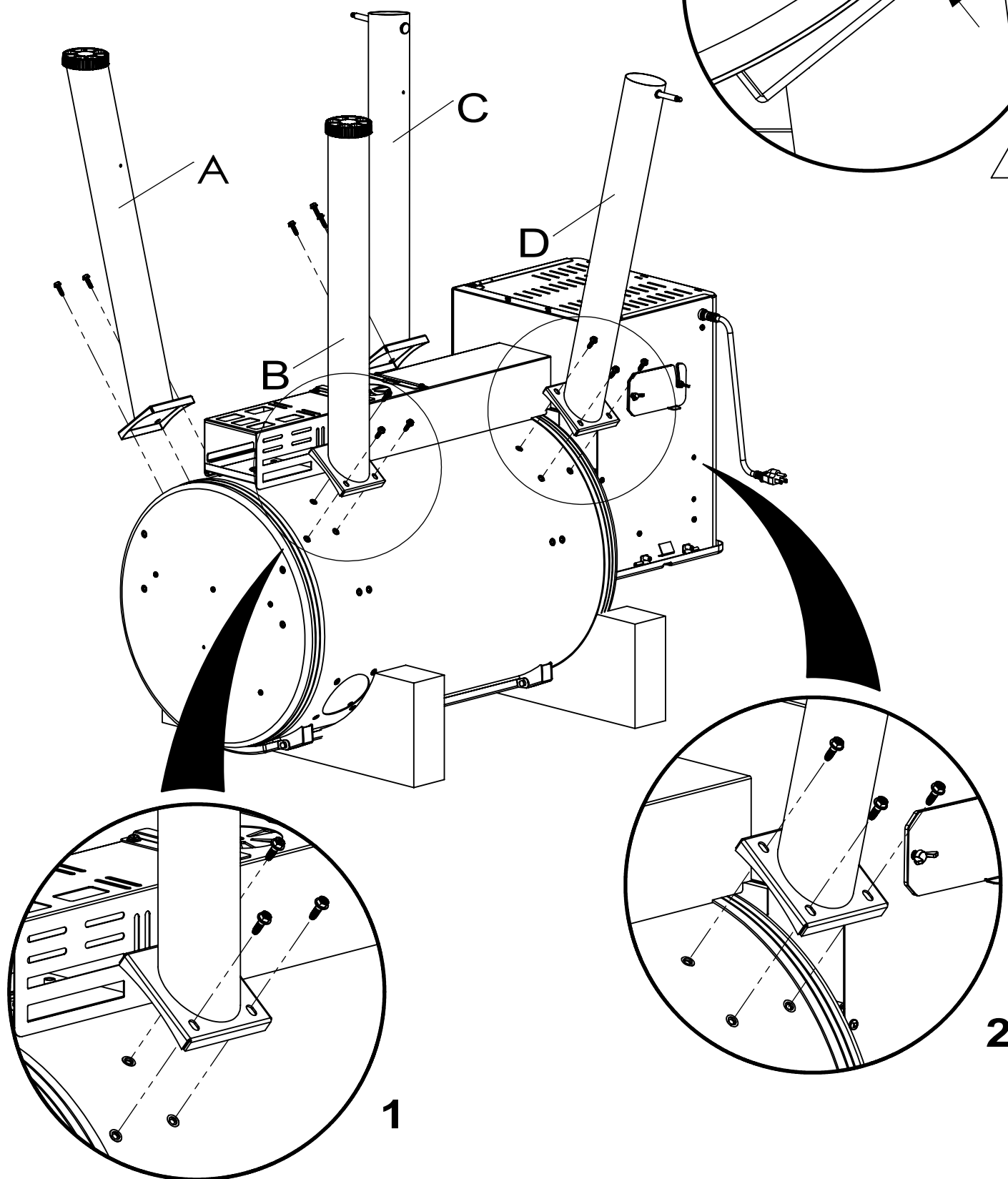
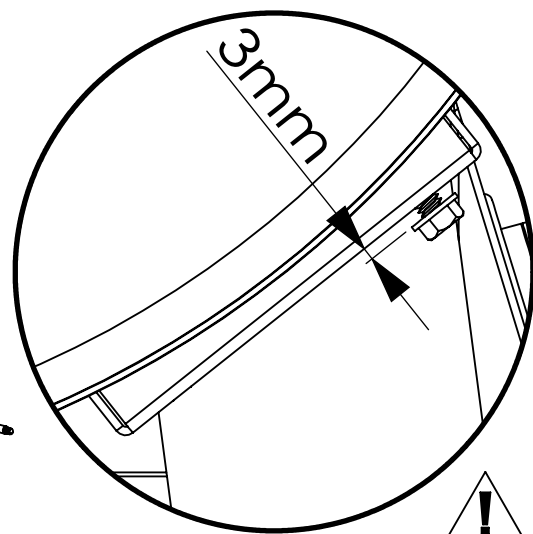
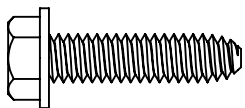


#3 PHILLIPS



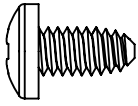
1

(12)

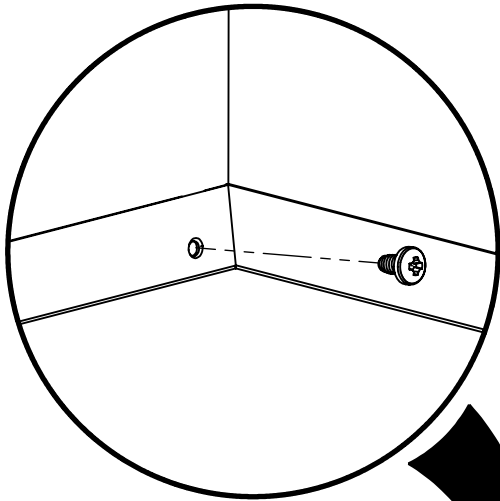


**2**

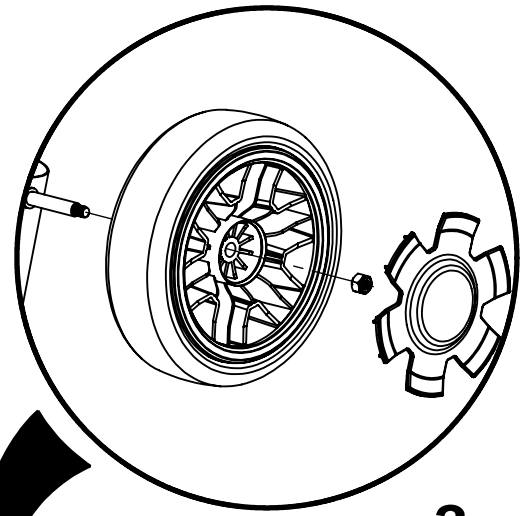
**(4)**



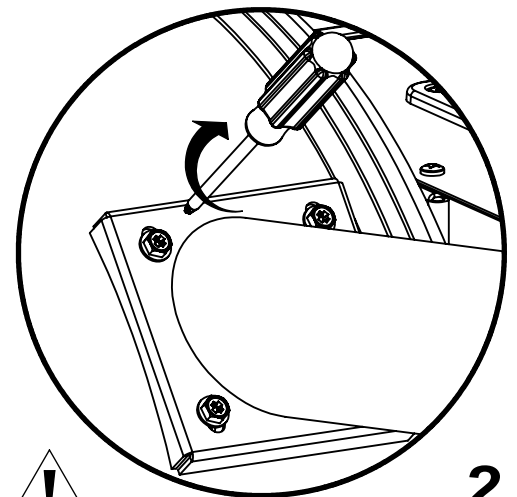
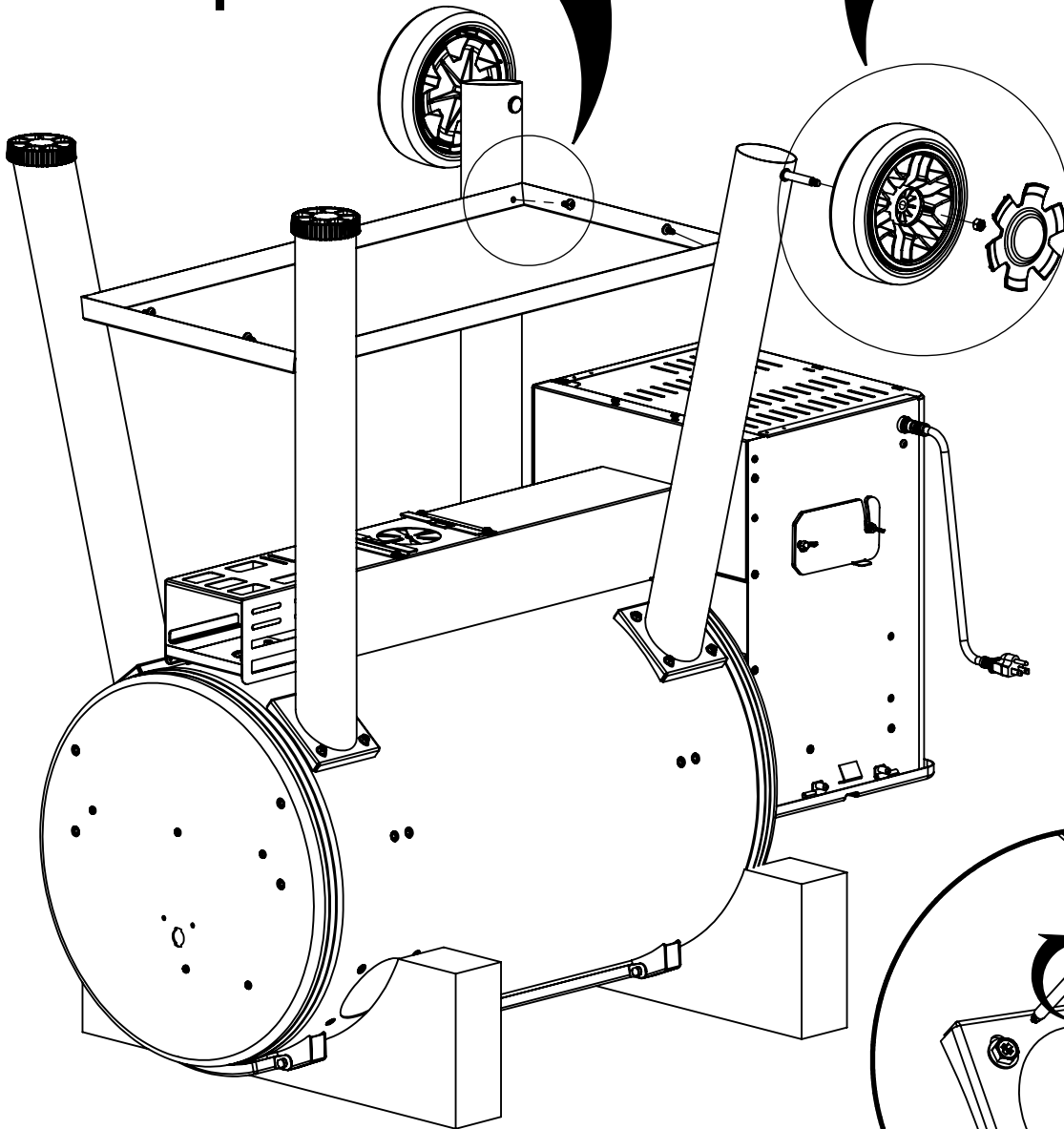
**(2)**



**1**

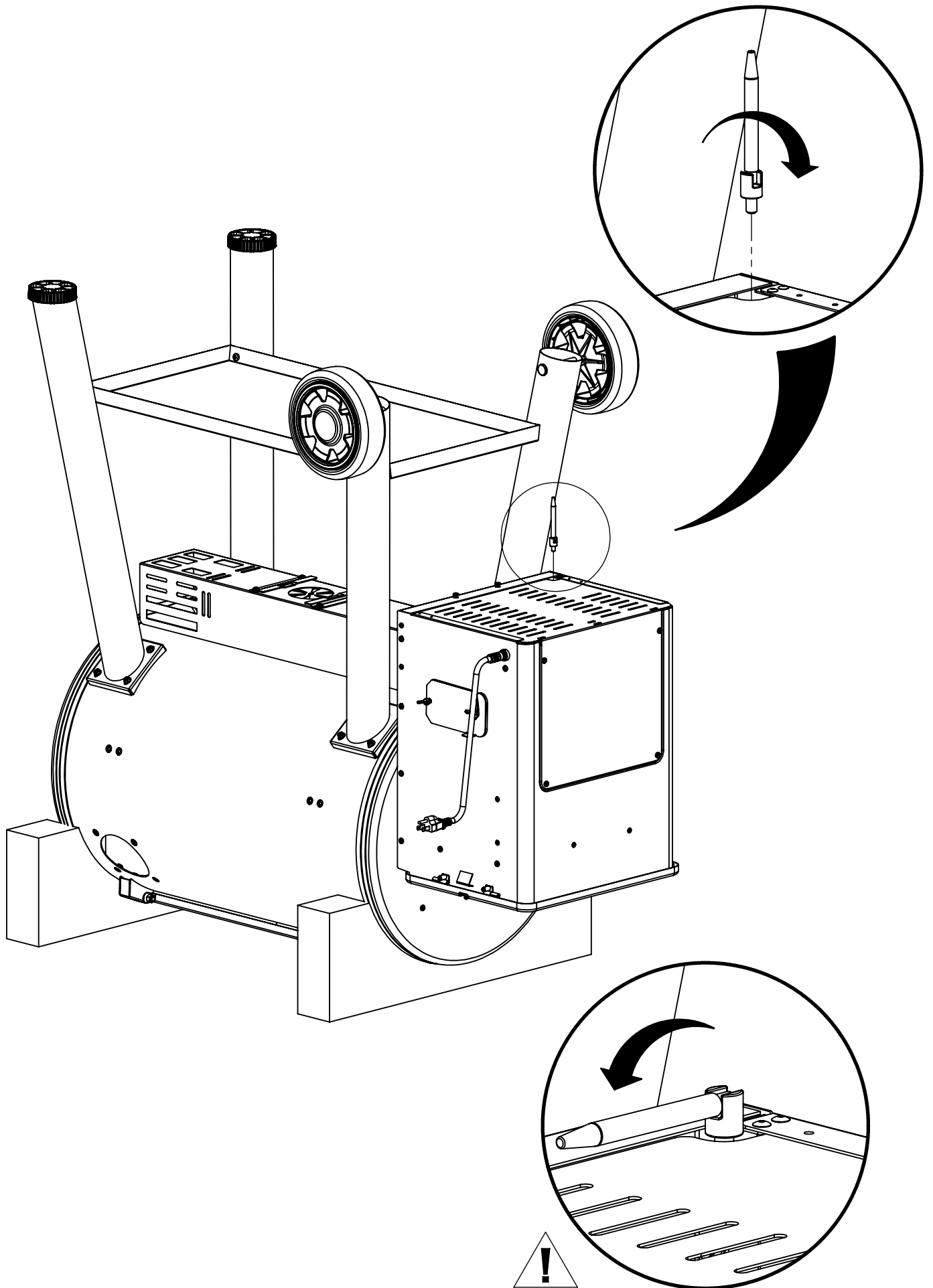


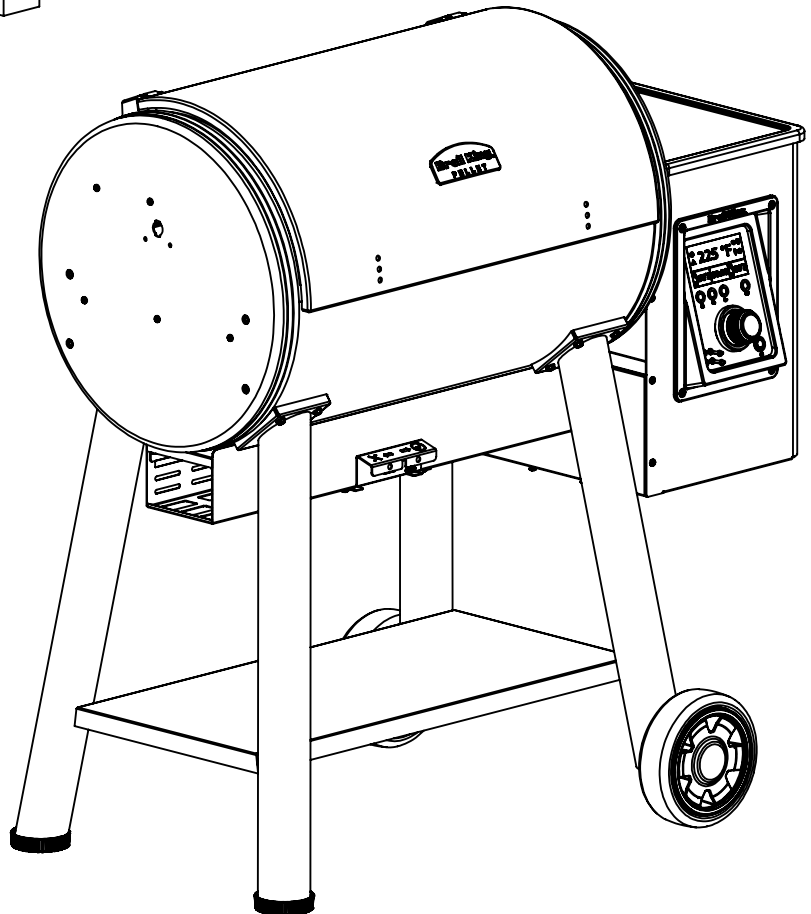
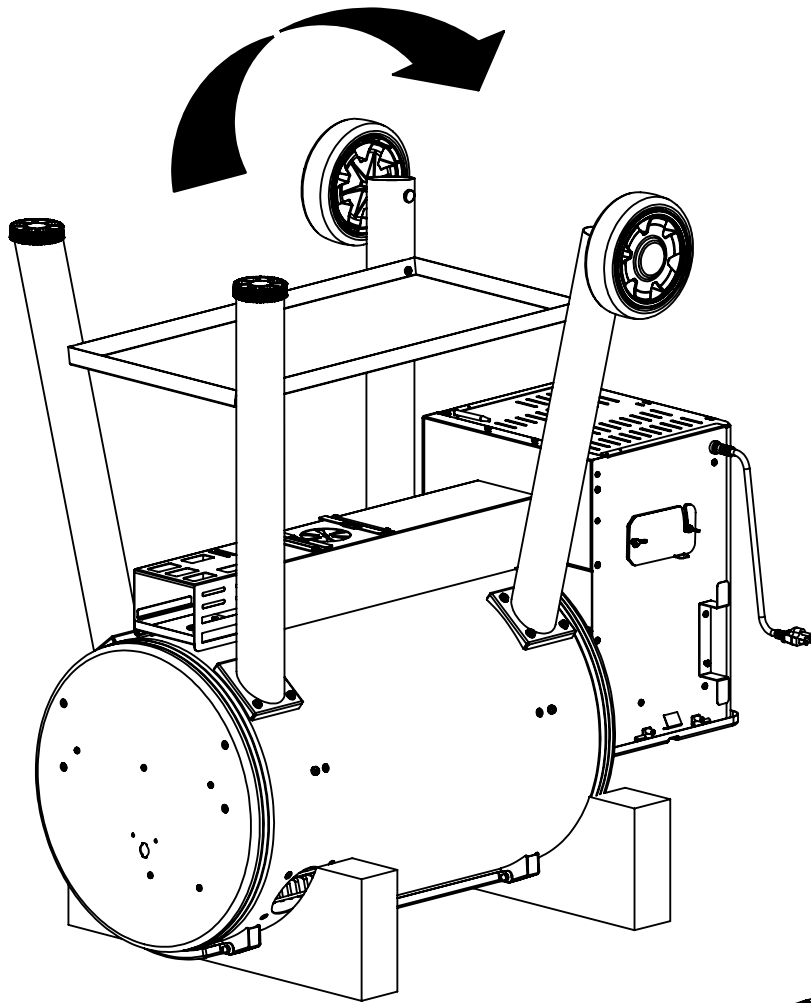
**3**



**2**

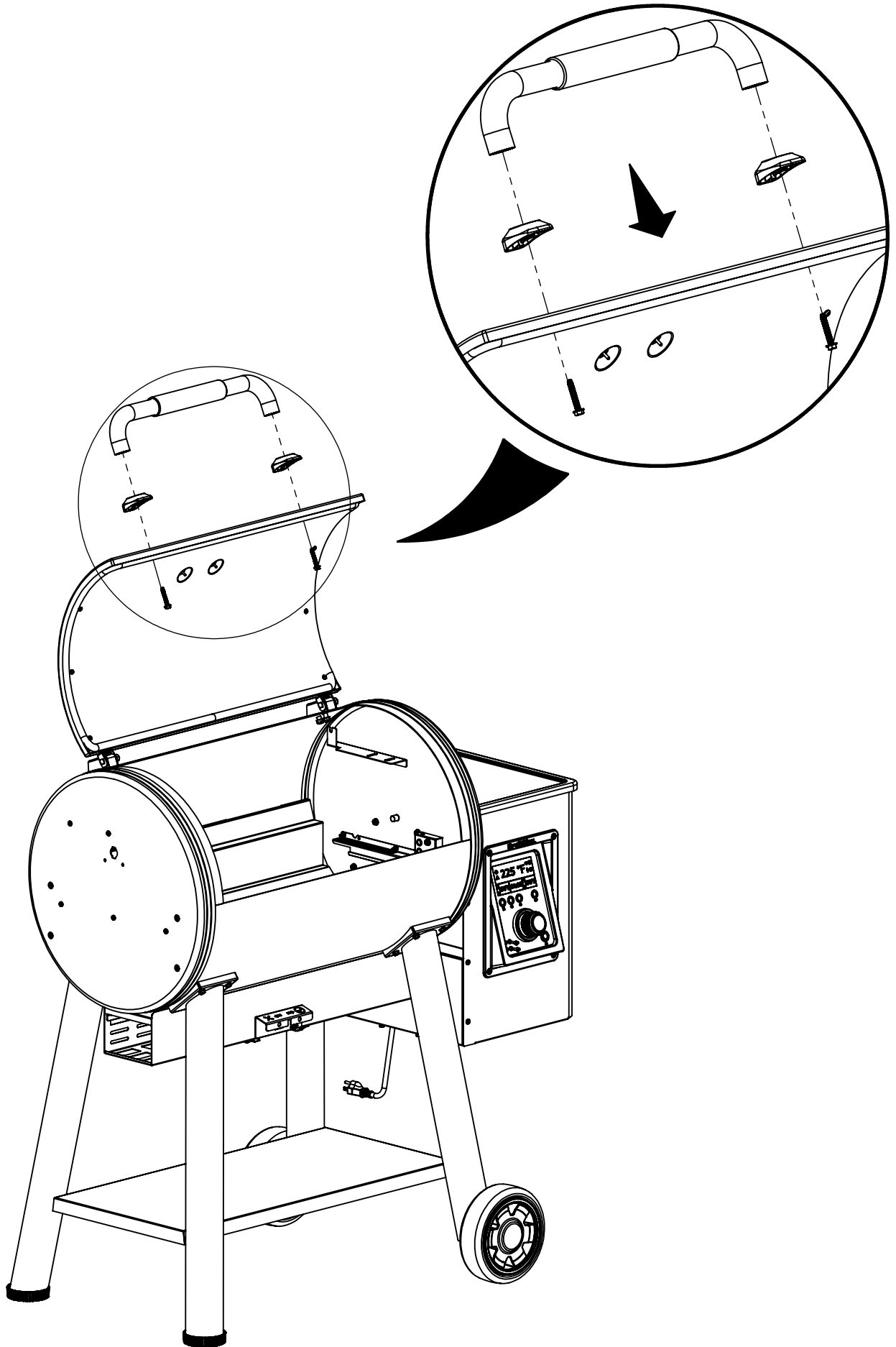
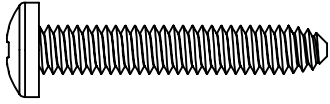
3





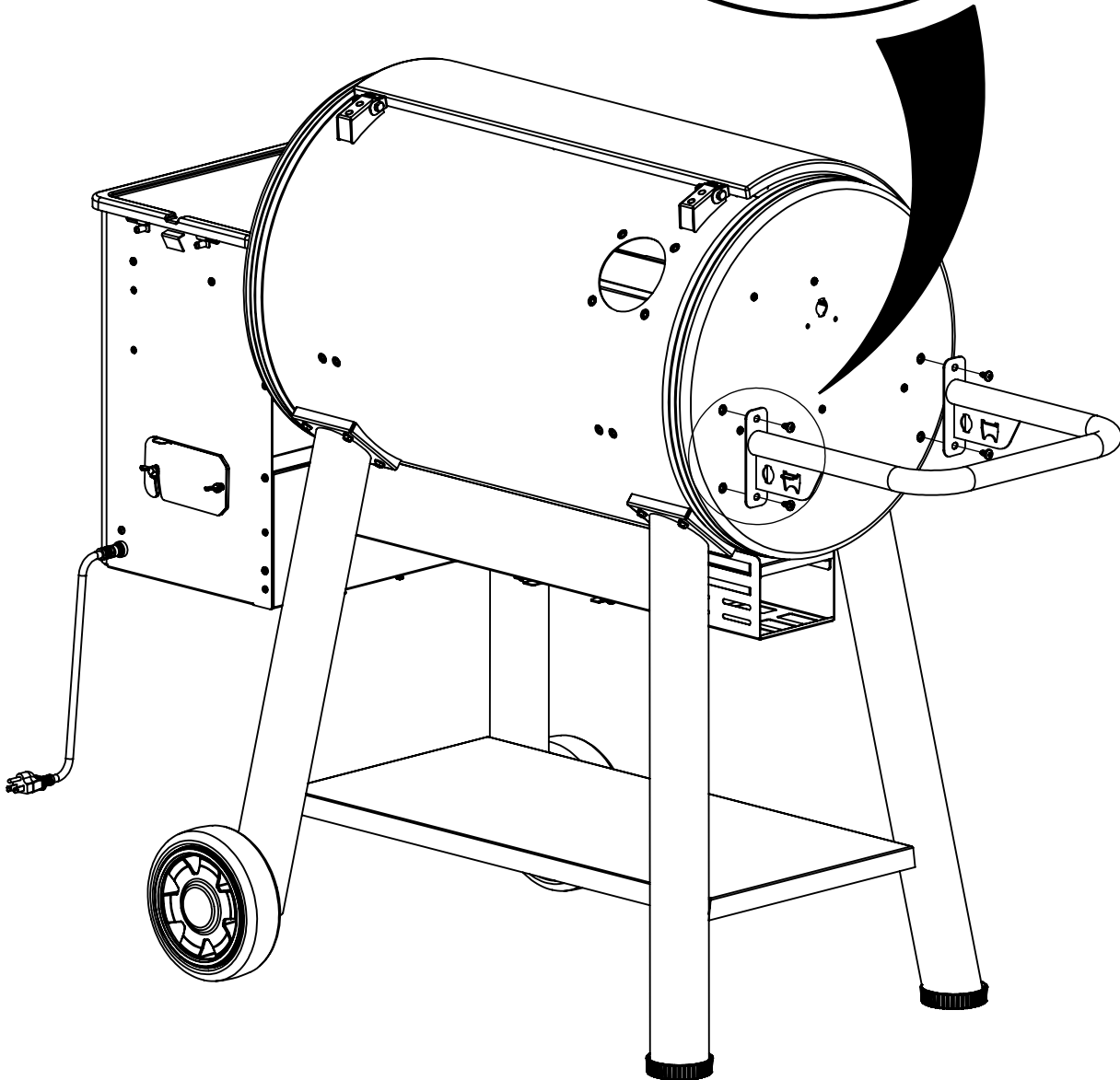
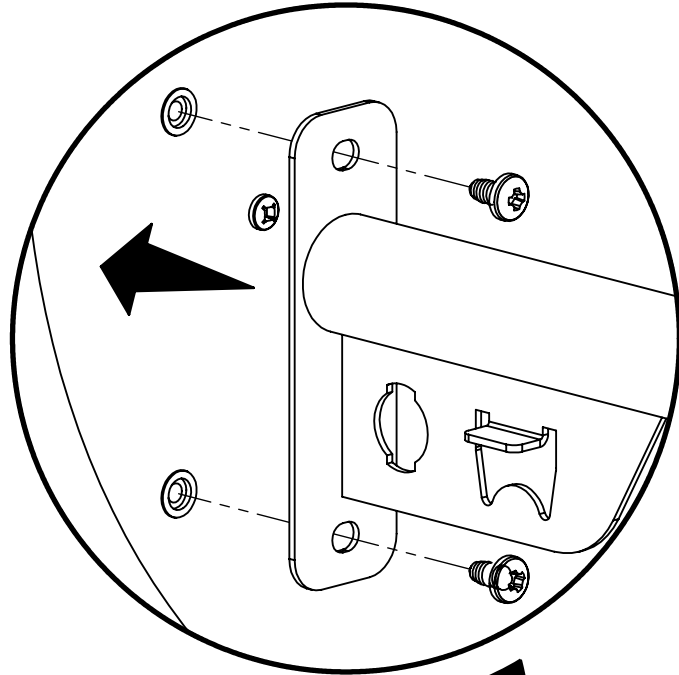
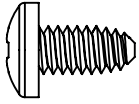
**5**

**(2)**



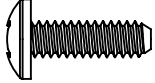
6

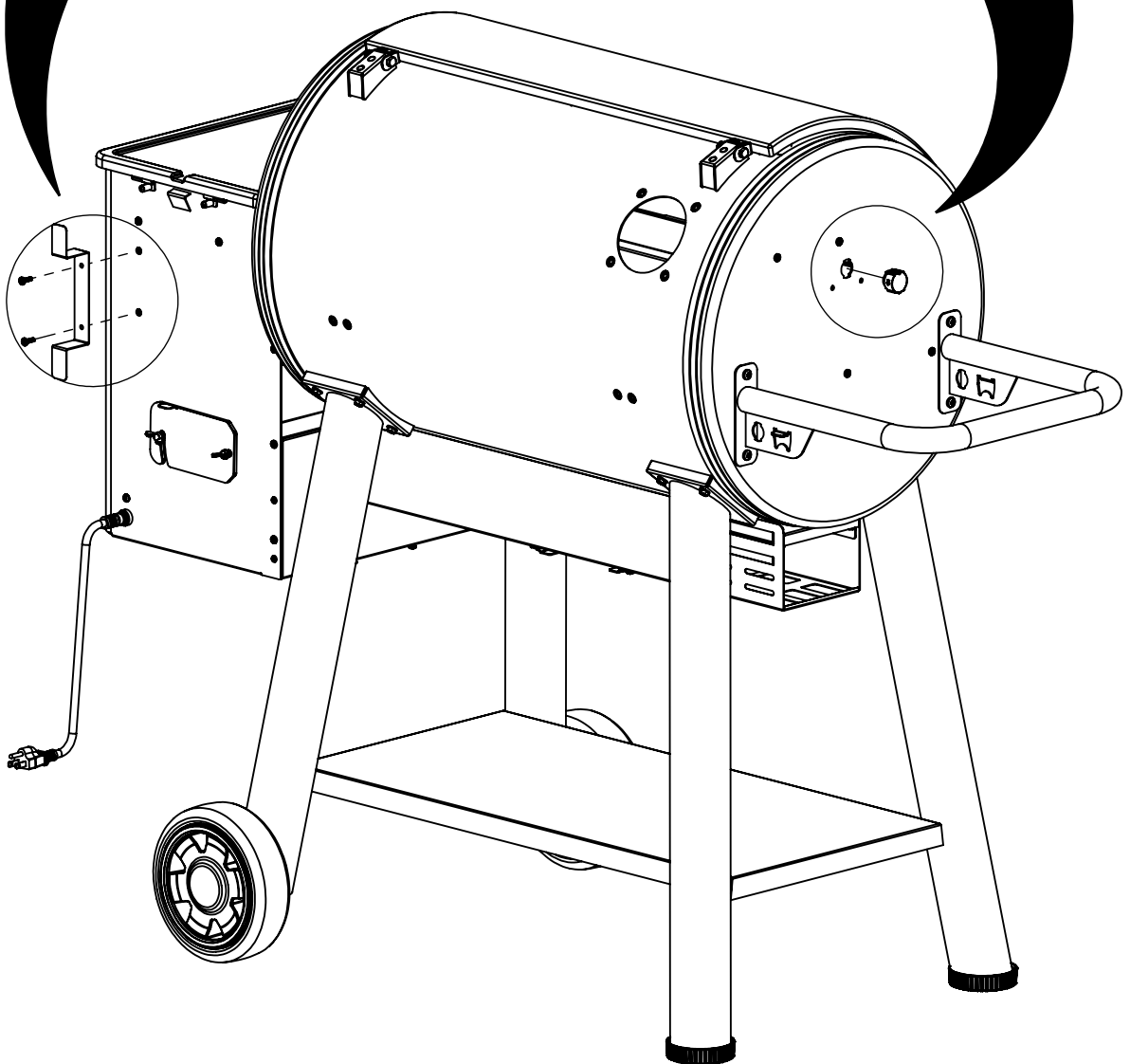
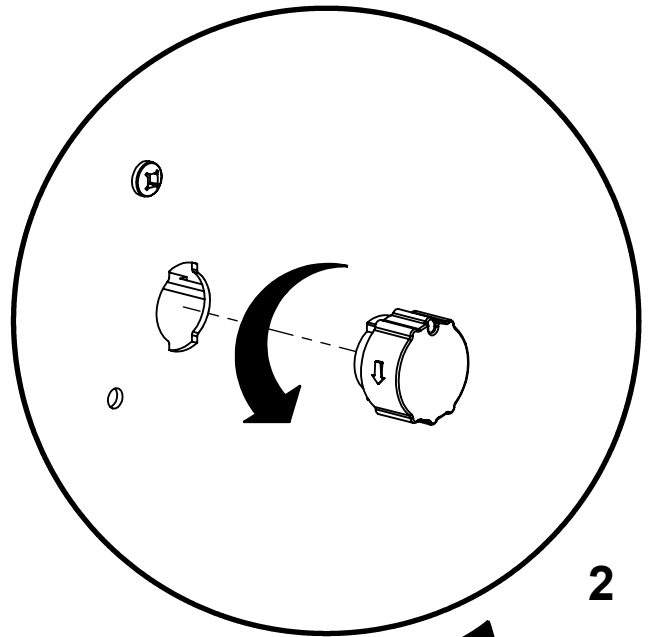
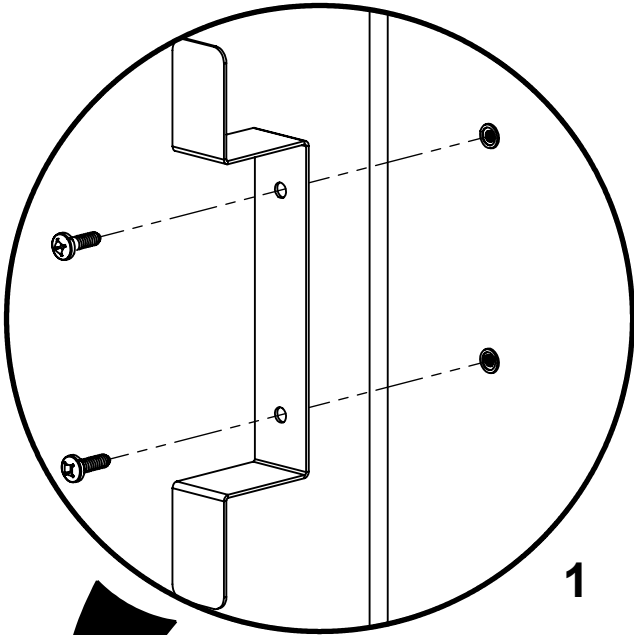
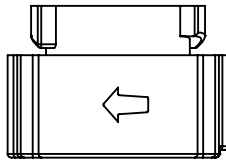
(4)

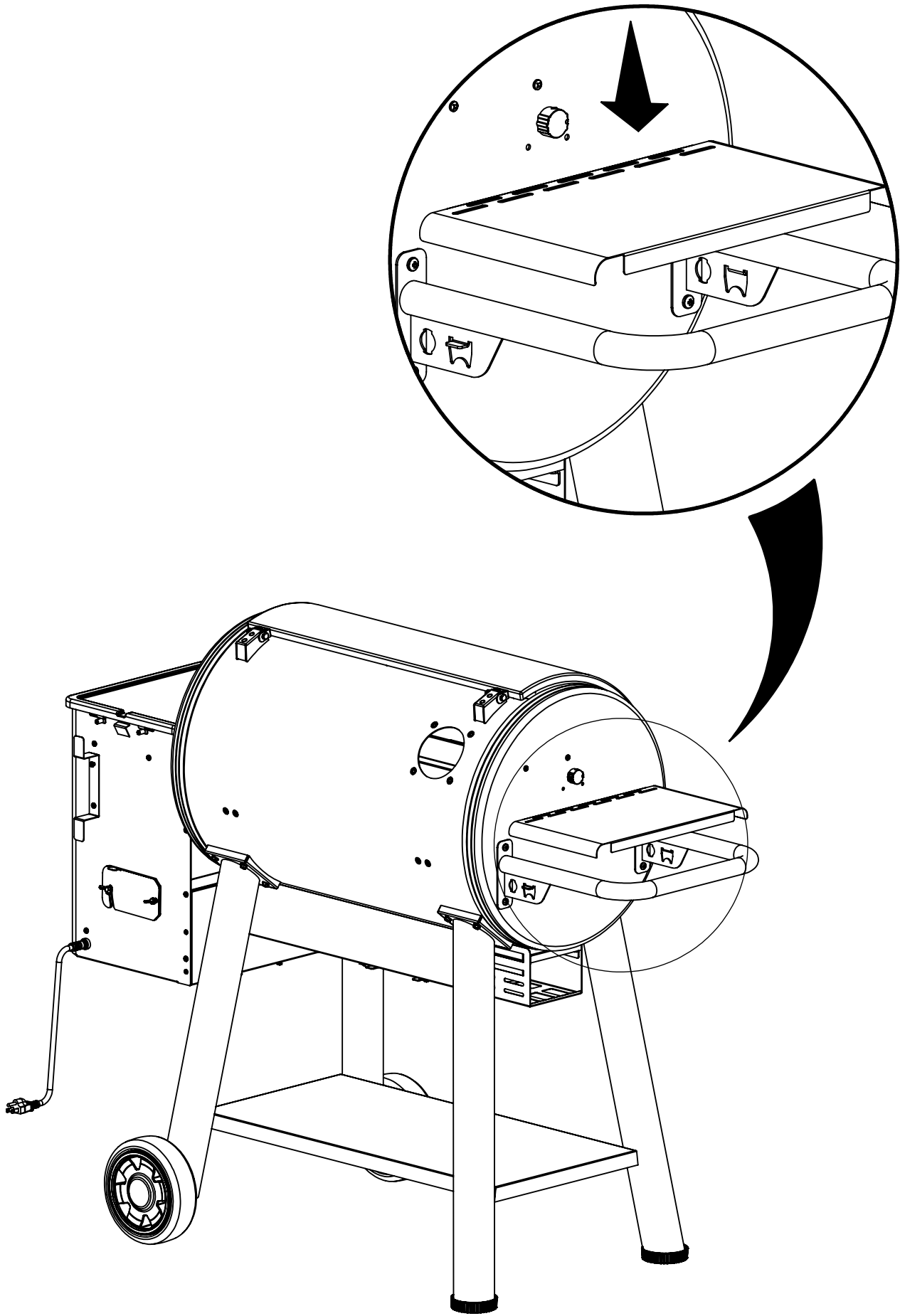




7

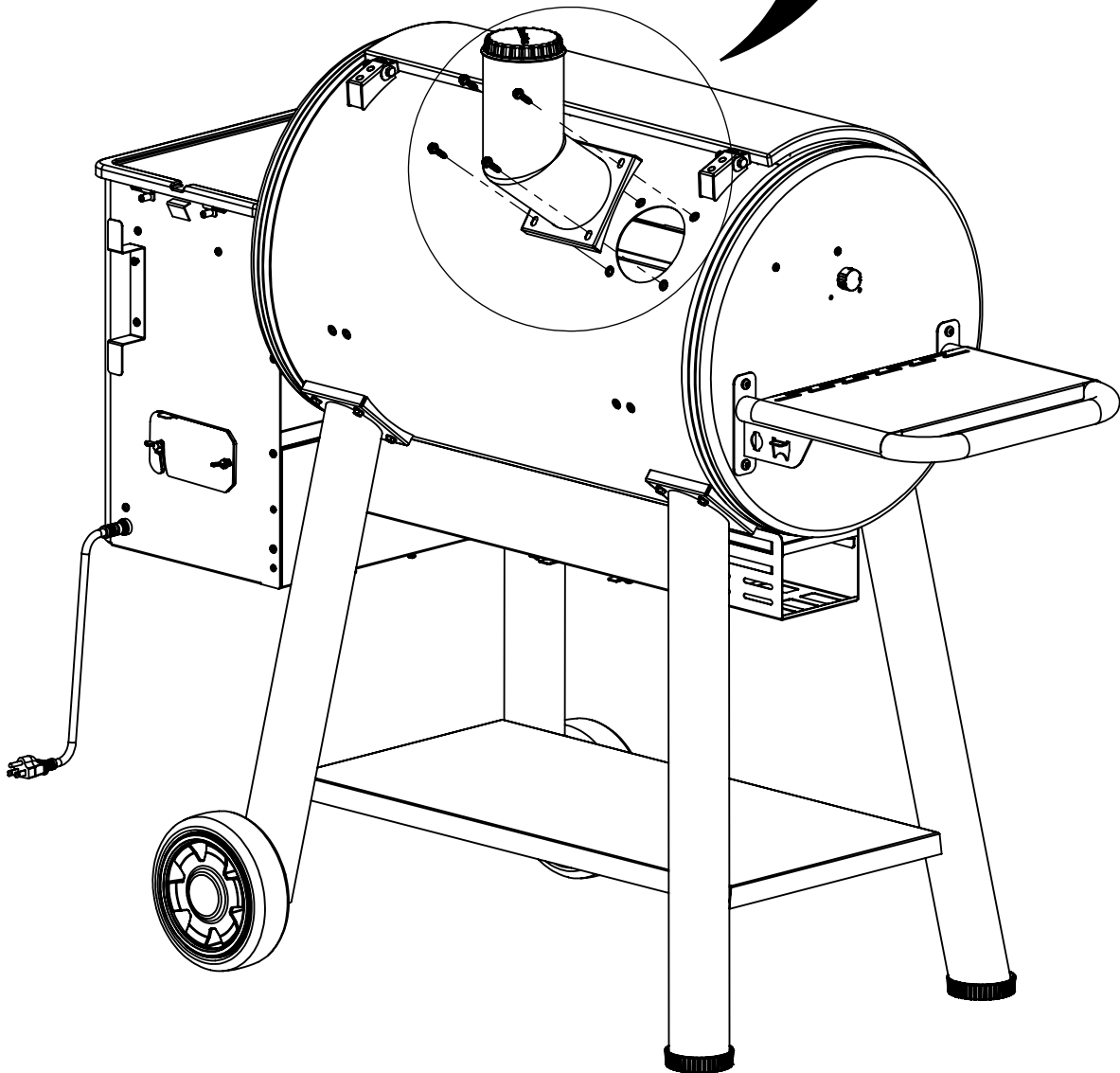
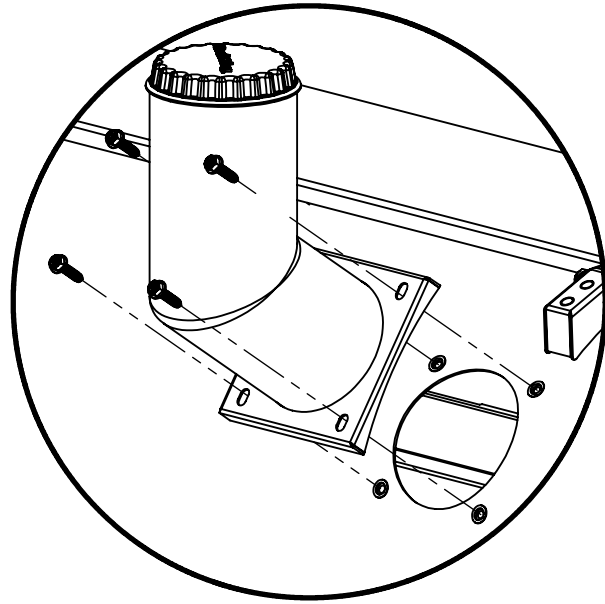
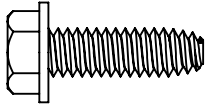
(2)  (1)





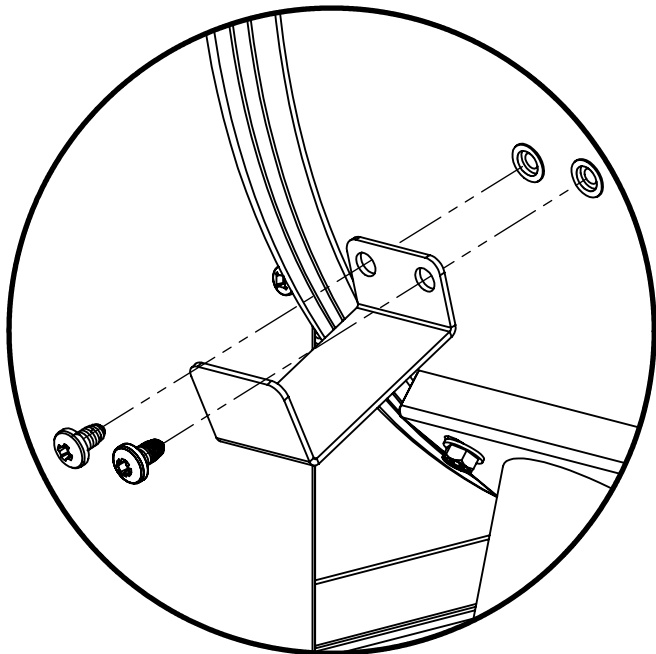
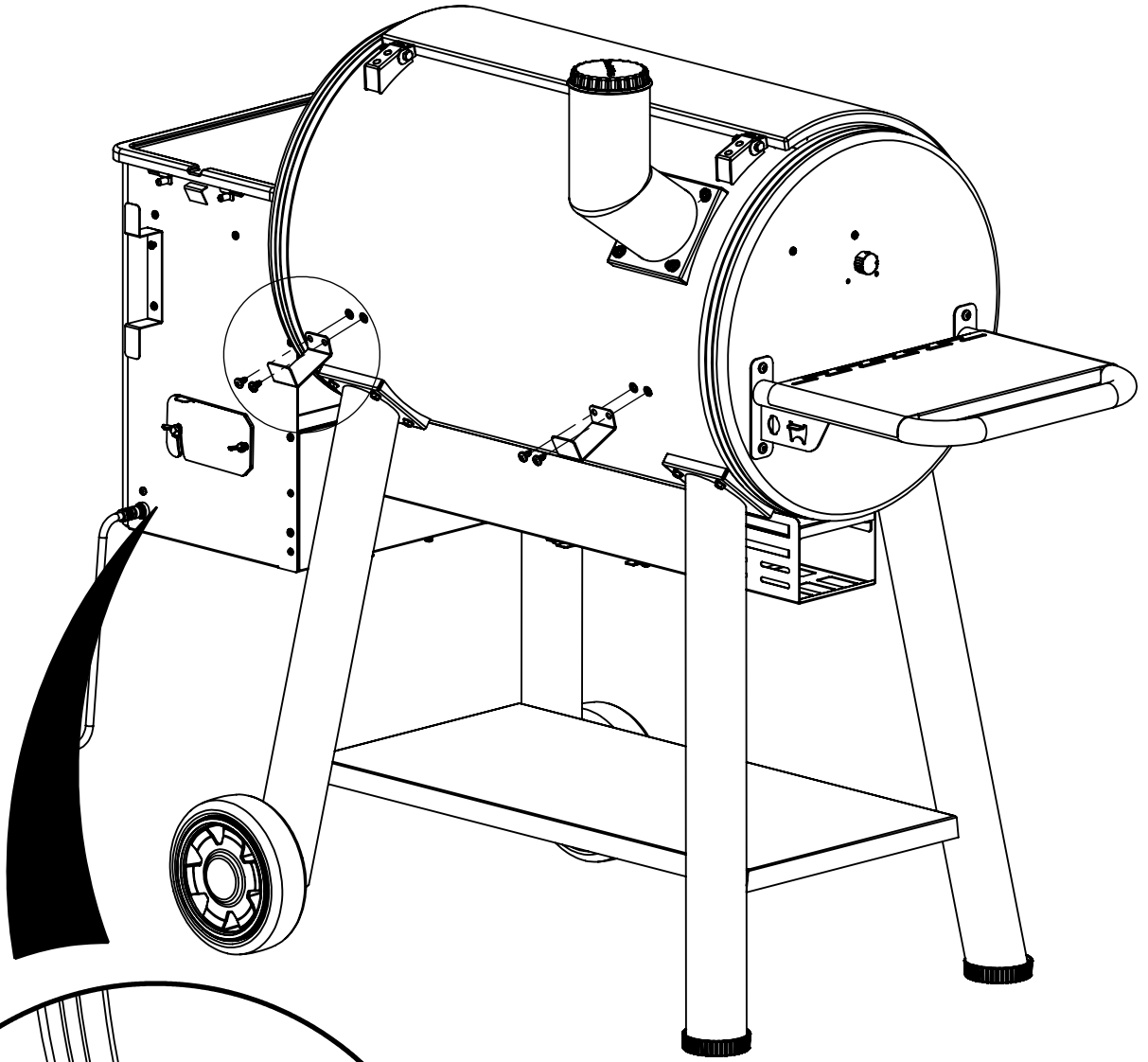
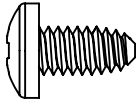
9

(4)



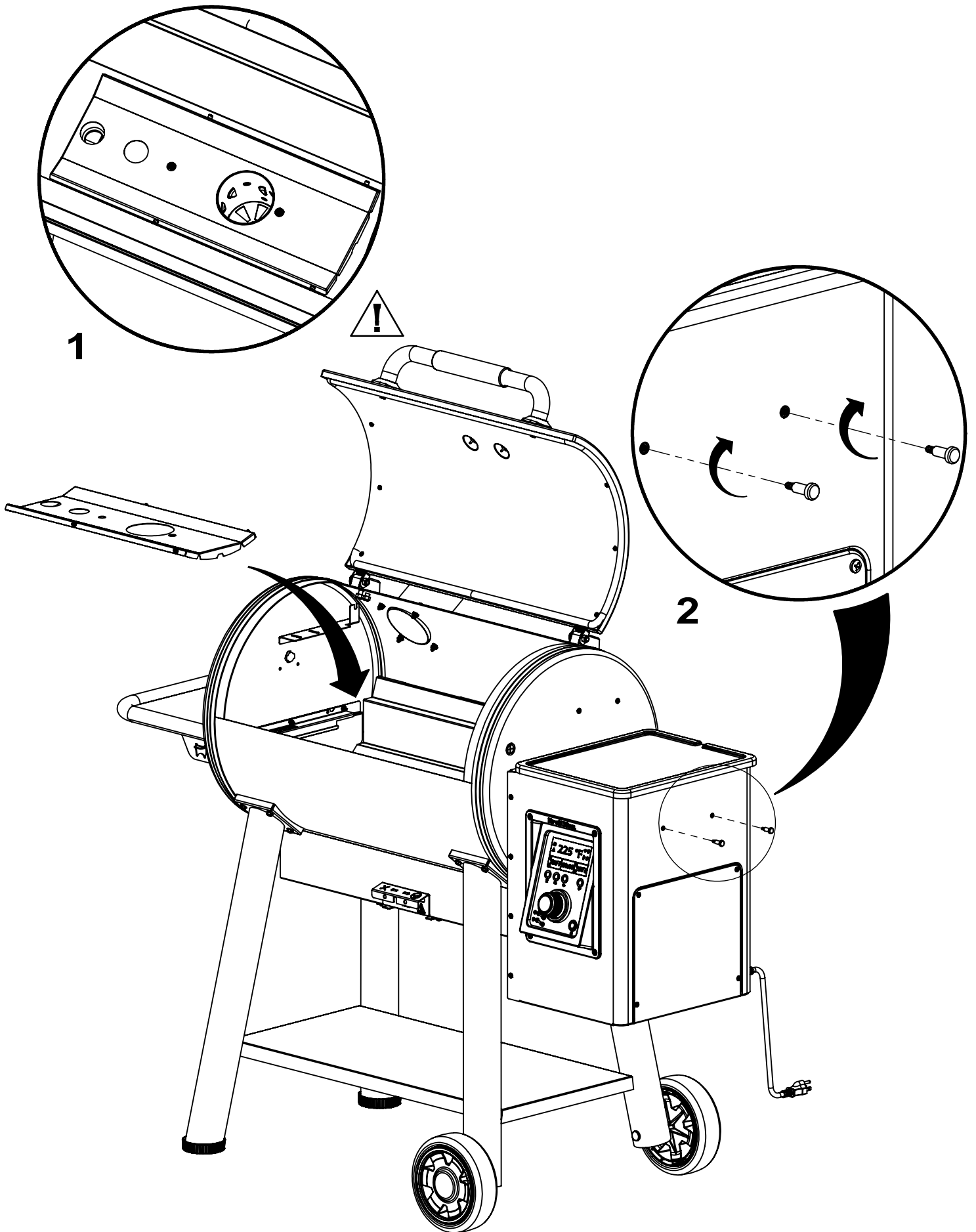
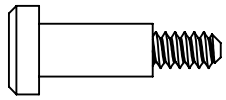
10

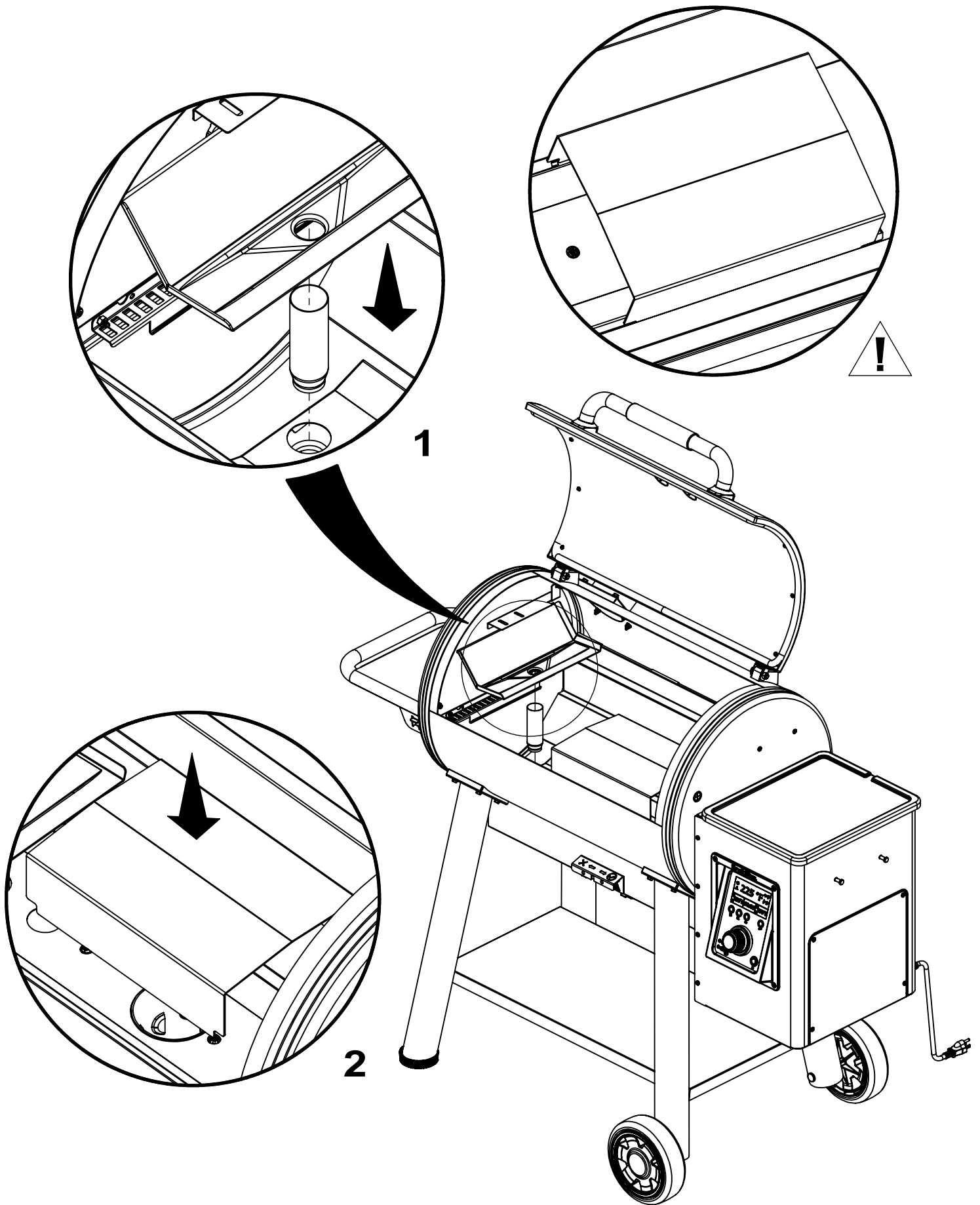
(4)

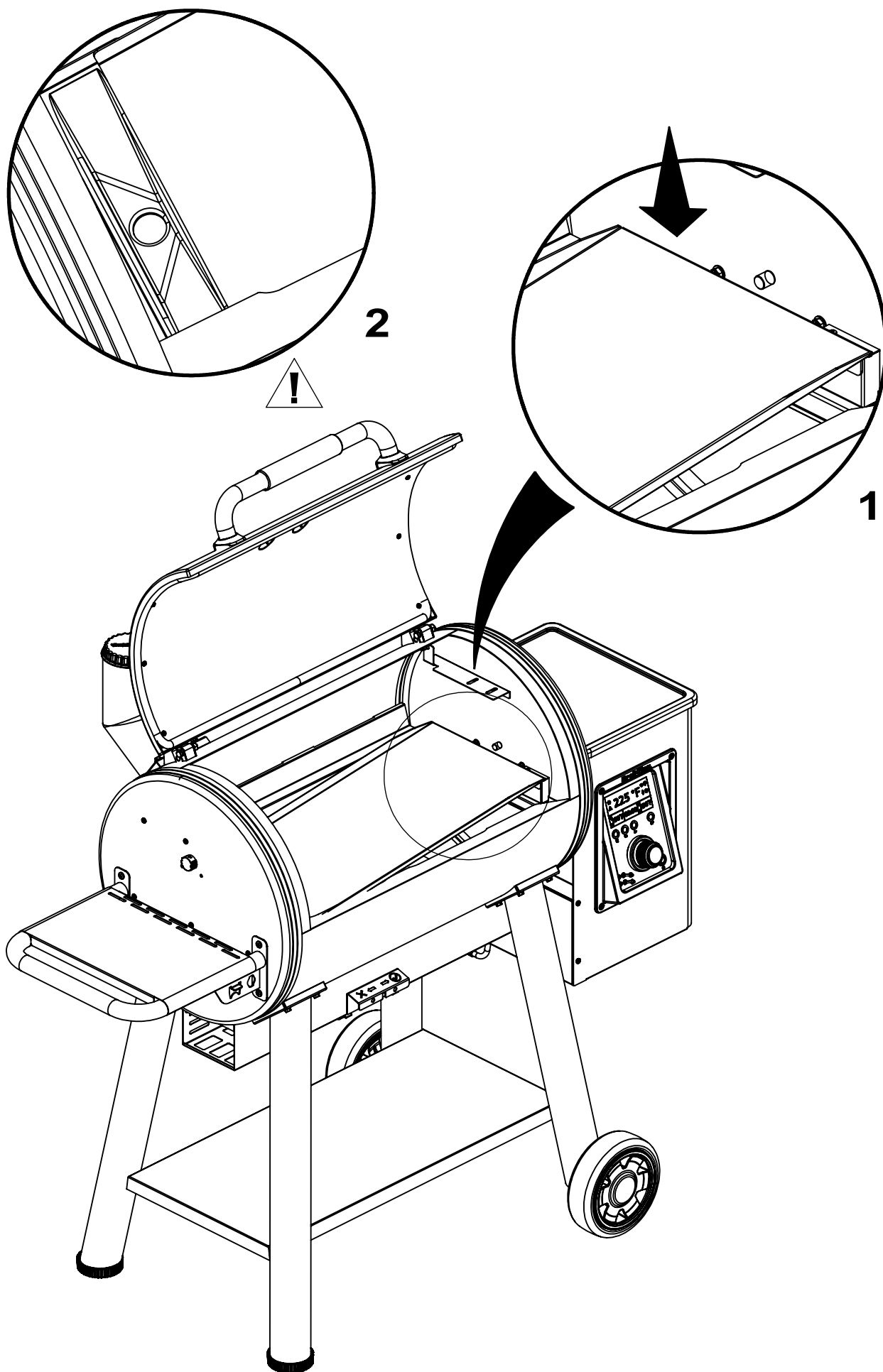


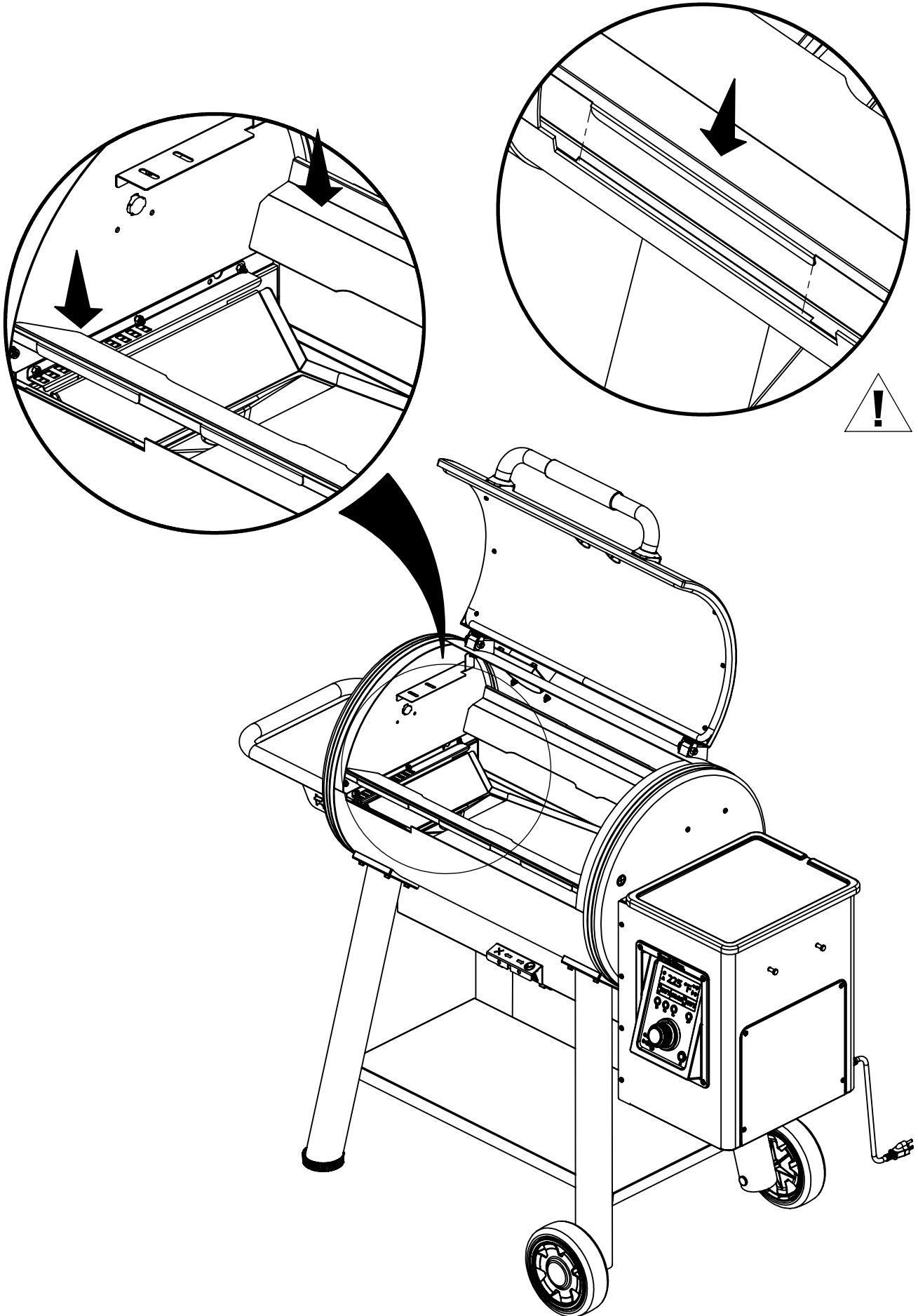
11

(2)

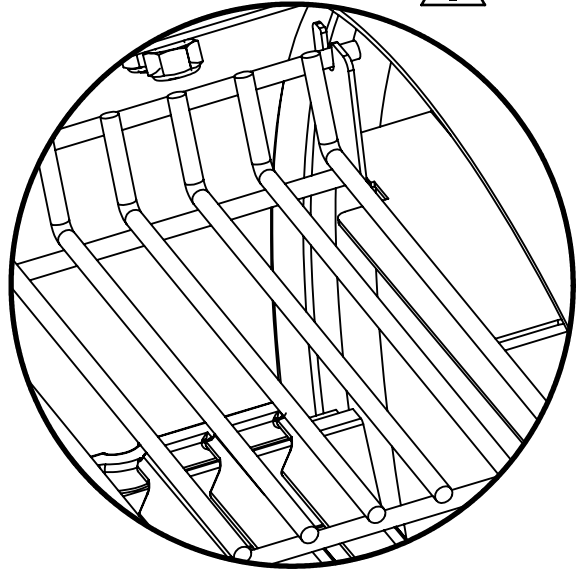
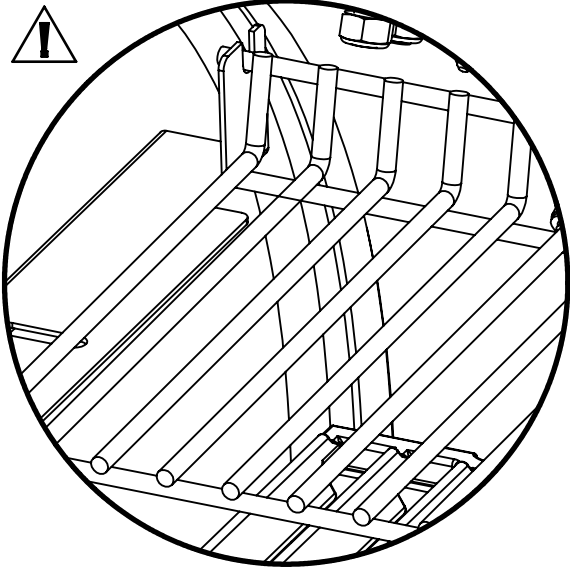




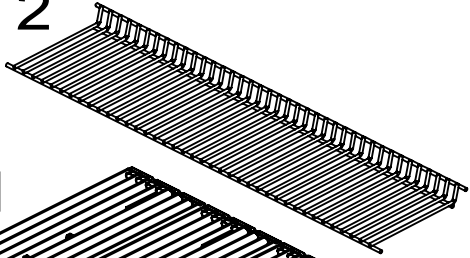




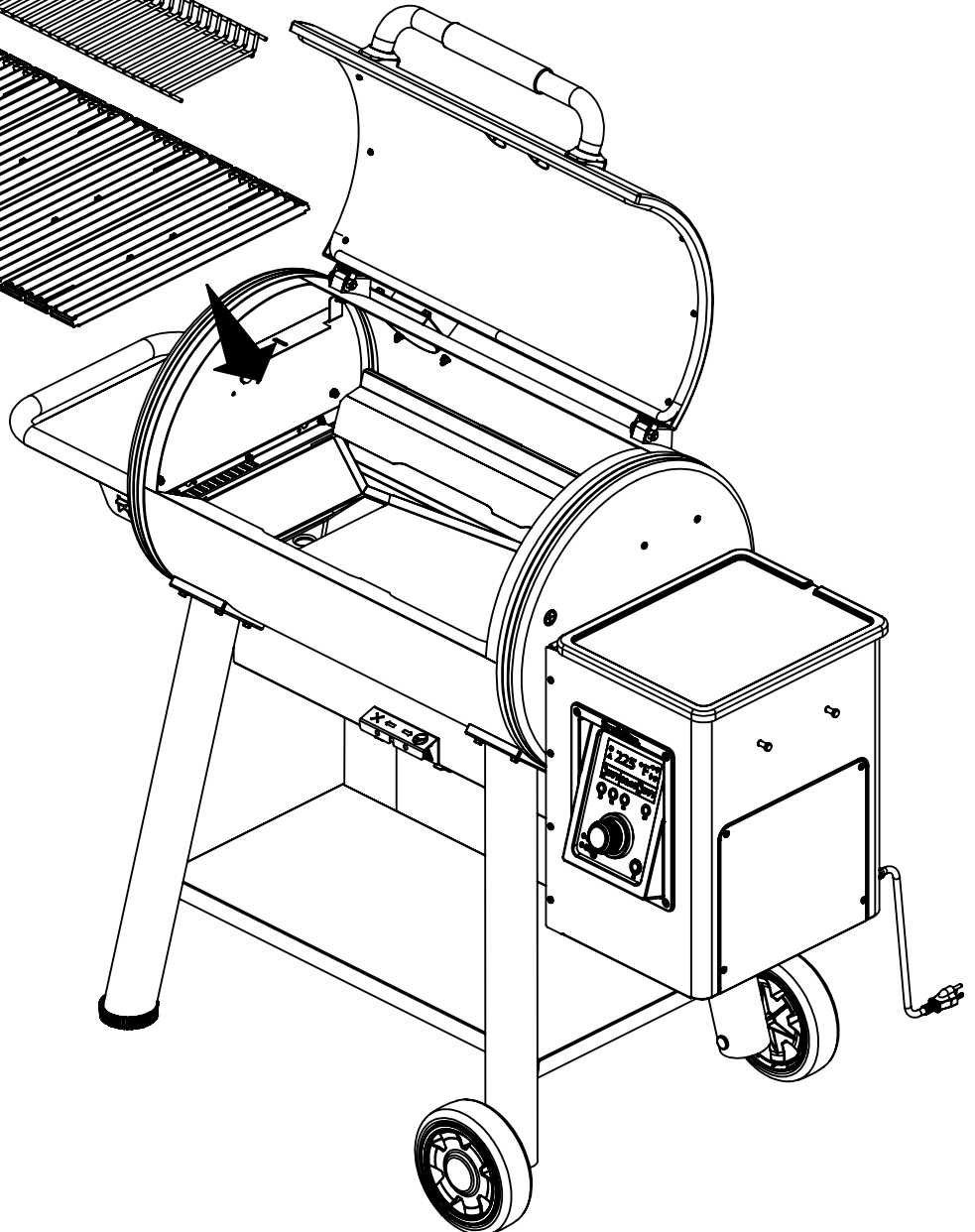
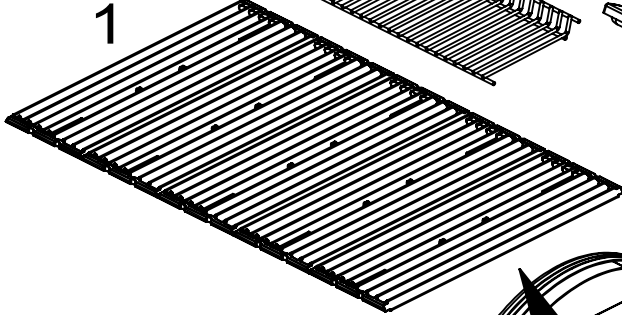


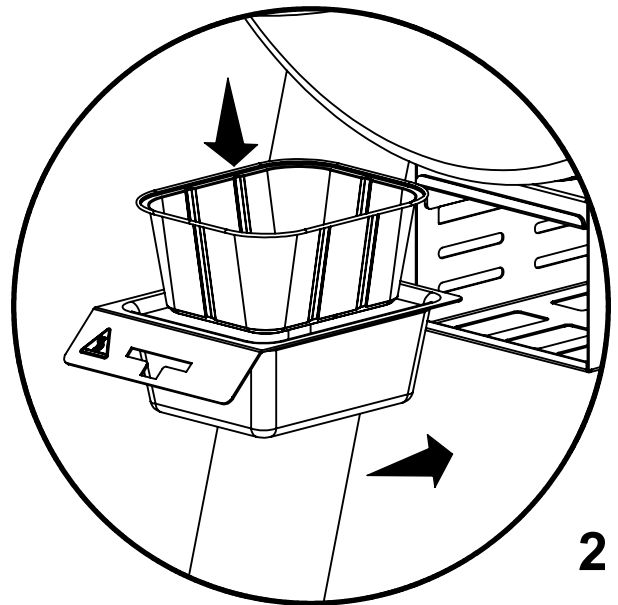
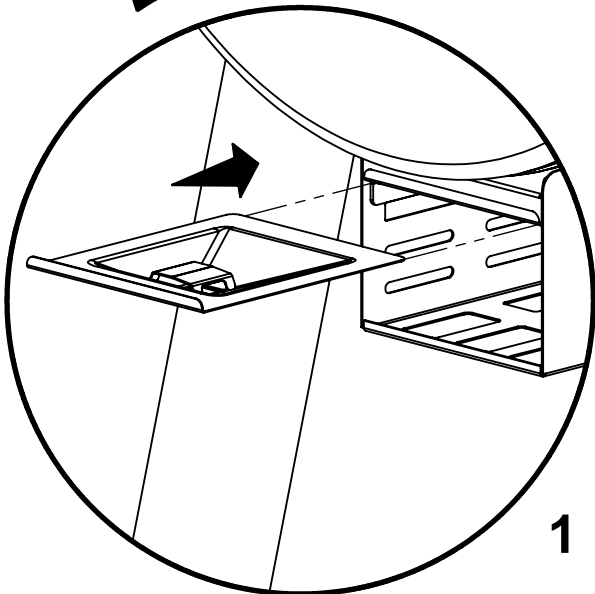
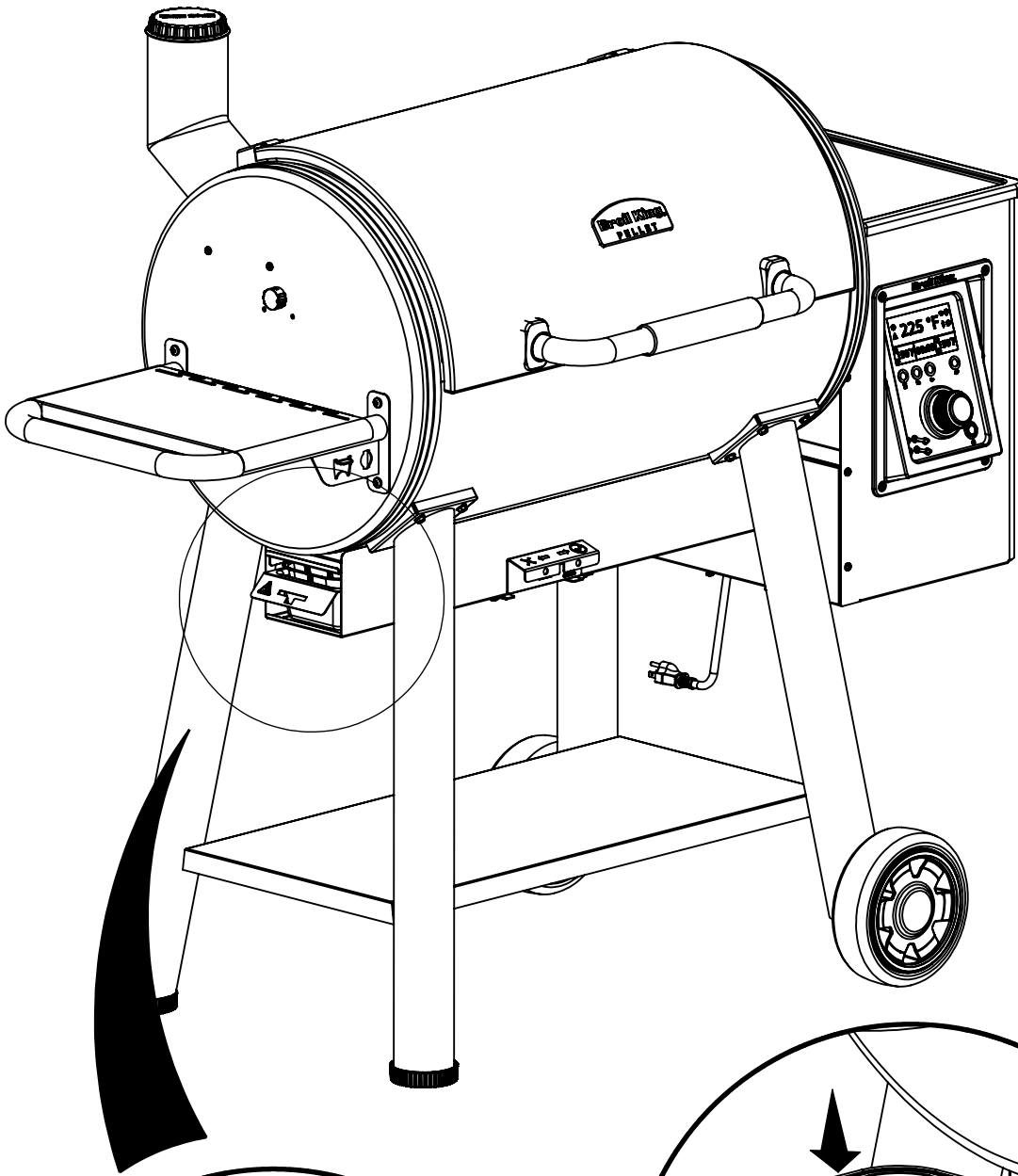


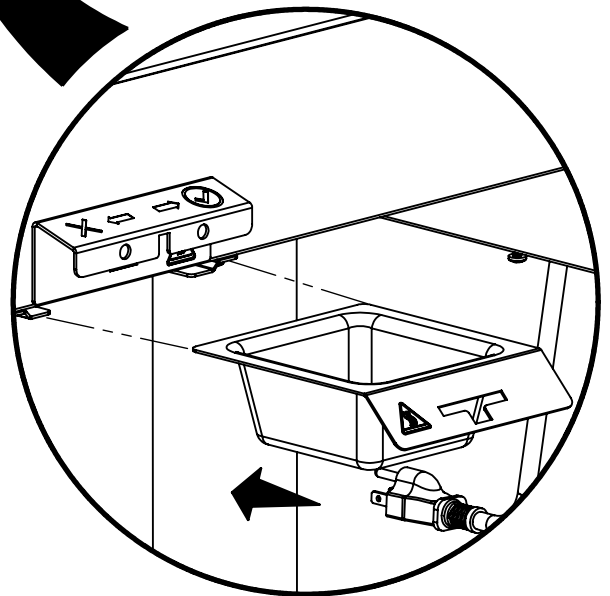
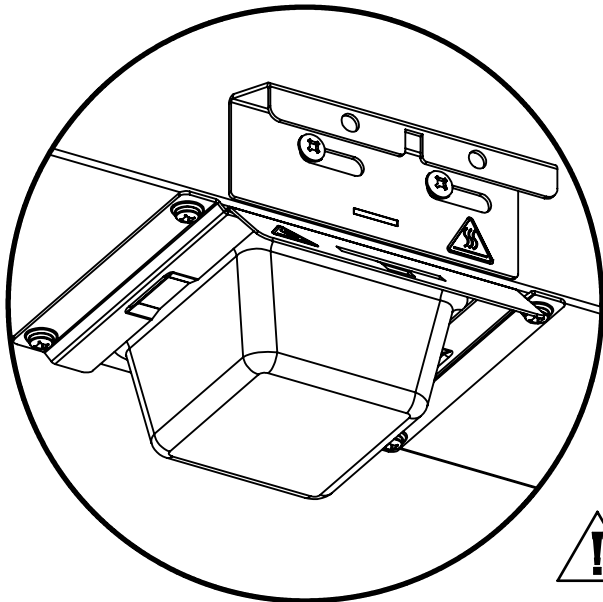
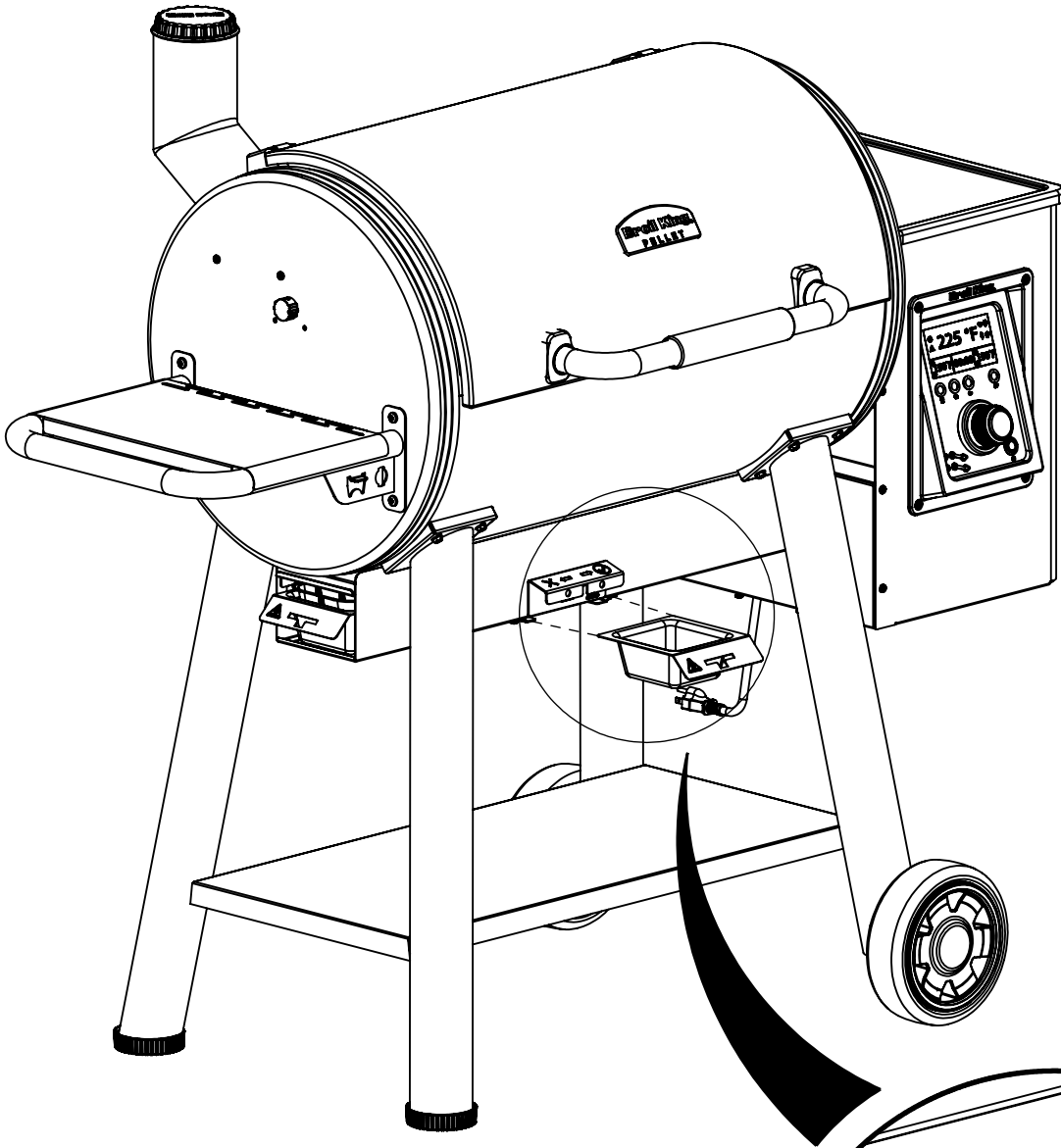
2

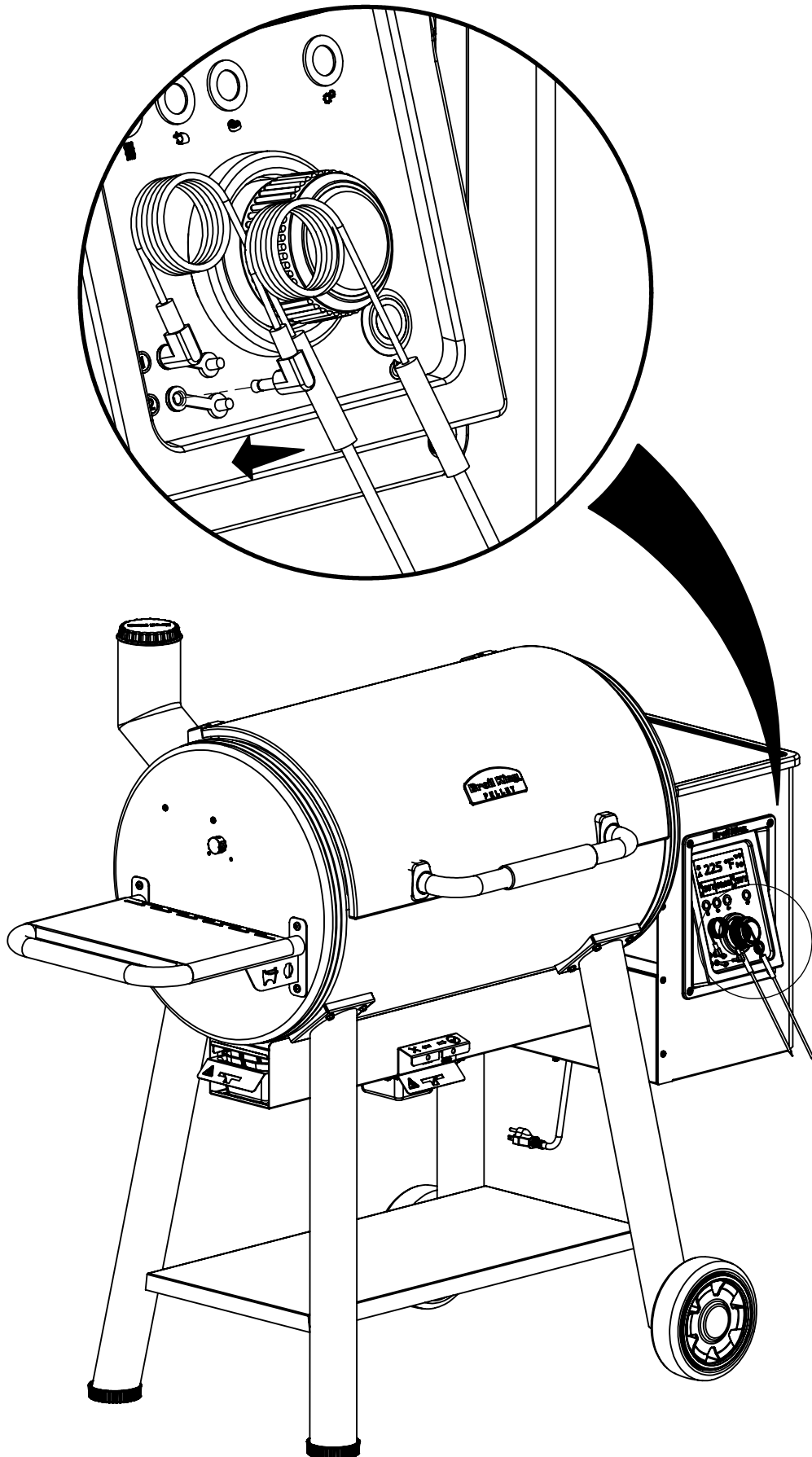


1









**19**

